

MAZERBLAZER*



INSTALLATION & OPERATION

* Designed by Stern, Inc., Manufactured under license by Atari, Inc.

MB. TM-001 Rev. 3



ATARI IRELAND LTD.
TIPPERARY TOWN
IRELAND

062-52155.

Telex. 28165.

SECTION I: GAME DESCRIPTION

The object of the game is to prevent the attacking aliens from working through the maze and entering your ship. Each time an alien enters your ship, you lose a life.

There are (14) different types of aliens in Mazer Blazer. Each level will have 1 or 2 different types of aliens that present the player with constantly changing levels of difficulty.

Shoot the aliens using the rapid fire Mazer Blaster. The farther from the ship you shoot the aliens, the higher the point value awarded. The screen is divided into four (4) colors. The colors determine the point value of the object. Blue = 400 points, Green = 300 points, Red = 200 points, and Black = 100 points.

The walls of the maze are in two (2) different colors; grey and orange. Orange walls are indestructable, while the grey walls can be shot away either by the nasties on the screen or your Mazer Blaster. Shooting the grey walls leaves gaps in the maze and makes it easier for the aliens to reach their ship, and lowers your wall bonus.

The Wall Bonus (indicated at the top of the screen) starts out at 2,000 points for the first level and increases by 1,000 points per level to a maximum of 13,000 points. Each time a section of the maze is destroyed, your wall bonus decreases by 200 points.

After each level is a Timed Bonus Rack. There are 8 aliens per bonus rack, each worth 500 points. Shoot the aliens as fast as possible for maximum bonus. The aliens seen in the bonus rack will be the alien encountered in the next maze level.

In every maze is the freeze target (located at the lower center of the screen). The freeze target, when hit, momentarily stops the movement of the aliens on the screen (time stopped is adjustable). The number of freezes the game starts with is adjustable from 1 to 4. (See Dip Switch Chart) Extra freezes awarded at Freeze Level (See Dip Switch Chart for Adjustment).

DESCRIPTION OF ALIENS (In their order of appearance).

- Tongue - Seeks the ship
- Disc - Seeks the ship
- Robot - Seeks the ship
- Hopper - Hops over walls
- Eyeball - Randomly blinks, making themselves almost invisible
- Jack - Seeks the ship
- Ram - Seeks the ship
- Snake - Seeks the ship
- Looper - Small target which is constanly spinning
- Drill - Drills into ground and comes up in a different part of the maze.
- Shield - Opens and closes. When the shield is closed, it can't be hit.
- Bridger - Builds bridges that it and other aliens go under. When under bridges, aliens can't be shot.

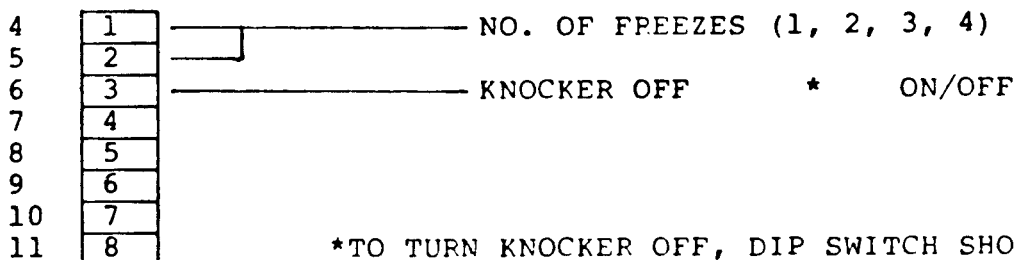
SPECIAL NUISANCE ALIENS

- Jaws - Appear randomly in different levels. The jaws eat walls and decrease your wall bonus.
- Gunners - Appear randomly in different levels. The gunners shoot walls and decrease your wall bonus.

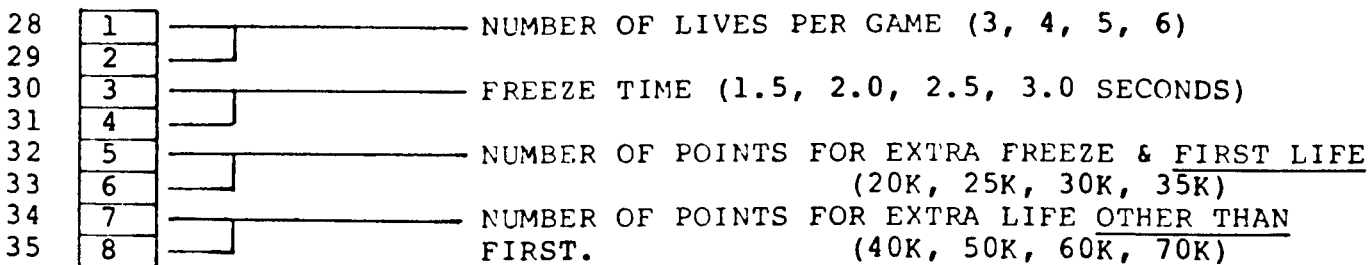
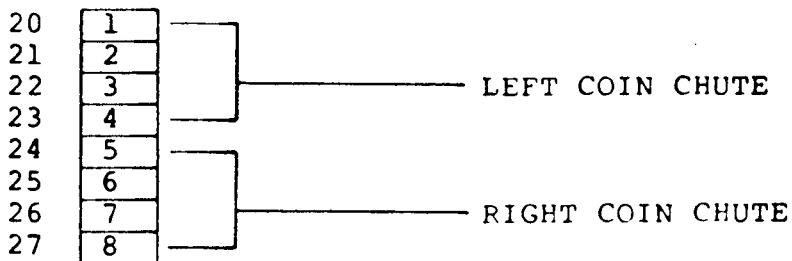
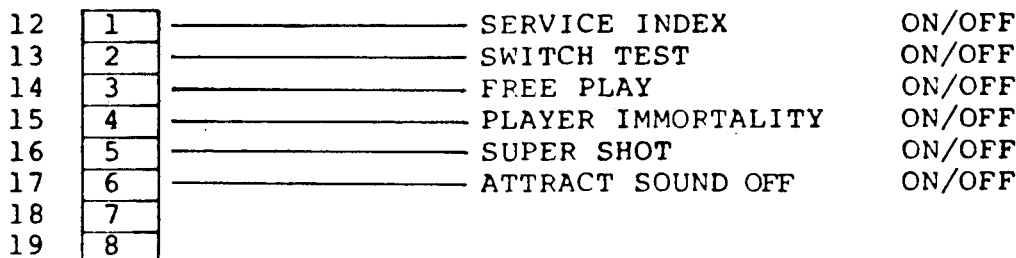
SECTION II: GAME ADJUSTMENTS

All dip switches used for game adjustments are located on the ZPU-2000 board. The ZPU-2000 board is the bottom board in the card cage.

ZPU-2000 DIP SWITCH DESIGNATION



*TO TURN KNOCKER OFF, DIP SWITCH SHOULD BE IN "ON" POSITION



<u>NUMBER OF FREEZES:</u>	<u>NUMBER</u>	<u>SWITCH 4</u>	<u>SWITCH 5</u>
	1	OFF	OFF
	2	ON	OFF
	3	OFF	ON
	4	ON	ON

<u>GUN KNOCKER</u>	<u>DIP SWITCH 6</u>
ON	OFF
OFF	ON

<u>FREE PLAY</u>	<u>DIP SWITCH 14</u>
YES	ON
NO	OFF

<u>PLAYER IMMORTALITY</u>	<u>DIP SWITCH 15</u>
YES	ON
NO	OFF

Used for test purposes, in this mode your player is never destroyed.

<u>SUPER SHOT</u>	<u>DIP SWITCH 16</u>
YES	ON
NO	OFF

Used for test purposes, in this mode pushing the Player One button clears all aliens visible on the screen at the time. More than one push may be needed to clear all aliens from a level.

ATTRACT MODE SOUND OFF
ON
OFF

DIP SWITCH 17
OFF
ON

NUMBER OF LIVES PER GAME:	<u>LIVES</u>	<u>SWITCH 28</u>	<u>SWITCH 29</u>
	3	OFF	OFF
	4	ON	OFF
	5	OFF	ON
	6	ON	ON

FREEZE TIME:	<u>TIME</u>	<u>SWITCH 30</u>	<u>SWITCH 31</u>
	1.5	OFF	OFF
	2.0	ON	OFF
	2.5	OFF	ON
	3.0	ON	ON

NUMBER OF POINTS FOR EXTRA FREEZE AND FIRST LIFE:

<u>POINTS</u>	<u>SWITCH 32</u>	<u>SWITCH 33</u>
20K	OFF	OFF
25K	ON	OFF
30K	OFF	ON
35K	ON	ON

This switch setting awards extra freezes at the point value set and multiplies thereof. This switch setting also awards First Extra Life Only. (To set the next level, see Switch Settings Below).

NUMBER OF POINTS FOR EXTRA LIFE OTHER THAN FIRST:

<u>POINTS</u>	<u>SWITCH 34</u>	<u>SWITCH 35</u>
40K	OFF	OFF
50K	ON	OFF
60K	OFF	ON
70K	ON	ON

This switch setting awards subsequent lives. It awards extra lives by adding the point value set to the Previous Fxtra Life Value. Example: First Life set at 20,000 points, Second Life set at 50,000 points. Then the first life awarded will be at 20,000 points, the second life awarded at 70,000 points, the third at 120,000 points, etc.

COIN SWITCH SETTINGS:

<u>COIN</u>	<u>SWITCHES</u>					
LEFT CHUTE	23	22	21	20		
RIGHT CHUTE	27	26	25	24		
					CREDITS	COIN
	OFF	OFF	OFF	OFF1	
	OFF	OFF	OFF	ON2	
	OFF	OFF	ON	OFF3	
	OFF	OFF	ON	ON4	
	OFF	ON	OFF	OFF51	
	OFF	ON	OFF	ON6	
	OFF	ON	ON	OFF7	
	OFF	ON	ON	ON10	
	ON	OFF	OFF	OFF14	

<u>COIN</u>	<u>SWITCHES</u>			
LEFT CHUTE	23	22	21	20
RIGHT CHUTE	27	26	25	24

					SEQUENCE OF CREDITS PER COIN					
					CREDITS	COIN	<u>1</u>	<u>2</u>	<u>3</u>	<u>4</u>
ON	OFF	OFF	ON1	.2	.0	1			
ON	OFF	ON	OFF3	.2	.1	2			
ON	OFF	ON	ON5	.2	.0	5			
ON	ON	OFF	OFF7	.2	.0	7			
ON	ON	OFF	ON3	.4	.0	1	0	2	
ON	ON	ON	OFF5	.4	.1	1	1	1	2
ON	ON	ON	ON7	.4	.1	2	1	3	

IF BOTH COIN CHUTES ARE ADJUSTED THE SAME FOR MULTIPLE COINS, CREDITS WILL INCREASE AS IF DROPPED IN SAME CHUTE.

SECTION III: SERVICE MODES

Your game is using the new Color Frame Buffer (C.F.B.) Hardware System, one of more advanced systems available in the business today.

The CFB provides three service modes:

- (1) Power on self test for each board
- (2) Service Index
- (3) Switch Test

I. POWER ON SELF TEST:

There are three boards in the C.F.B. System:

- 1) ZPU-2000
- 2) CFB-1000
- 3) VSB-2000

Each board has its own test L.E.D. and each board goes through its own self test on power-up. Each flash checks a particular section of the board. The L.E.D. flashes upon completion of a test.

Listed below, by board, is the sequence of flashes of the L.E.D. and what section of the board is being checked.

ZPU-2000:

9 Flashes:

- 1st = Z80 microprocessor
- 2nd = Rom 0 position 1H
- 3rd = Rom 1 position 2H
- 4th = Rom 2 position 3H
- 5th = Rom 3 position 4H
- 6th = Scratch Ram 6C
- 7th = Bookkeeping 6F
- 8th = VSB/ZPU Port Communication

ZPU Board must be able to "talk" and "listen" to the VSB Board to complete this test.

- 9th = Shared Ram Test

Chip located position 3F on CFB Board. ZPU Board must be able to "talk" to the CFB Board to complete this test.

CFB-1000:

8 Flashes:

- 1st = Z80 Microprocessor
- 2nd = Rom 0 Program Prom 7F
- 3rd = Rom 2 Pattern Prom 8K
- 4th = Rom 3 Pattern Prom 10K
- 5th = Rom 4 Pattern Prom 11K
- 6th = Parameter Ram 13K
- 7th = Custom Video Controller
- 8th = Shared Ram Position 3F
CFB Board must be able to "talk" and "listen" to the ZPU Board to complete this test.

VSB-2000:

6 Flashes:

- 1st = Z80 Microprocessor
- 2nd = Rom 0 Program Prom (2D)
- 3rd = Rom 1 Program Prom (4D)
- 4th = VSB/ZPU Port Communication
VSB Board must be able to "talk" and "listen" to ZPU Board to complete this test.
- 5th = Scratch Ram L.S.N. (4E)
- 6th = Scratch Ram M.S.N. (5E)

II. SERVICE INDEX:

Access into the Service Index can be made by turning Switch No. 12 of the ZPU Board on OR by holding the Service Index Interlock Switch closed during power-up. (Service Index Interlock Switch is located in upper right hand corner of the drawer by the power transformer).

SERVICE INDEX
ON
OFF

DIP 12
ON
OFF

The service index displays seven (7) categories on the screen, that provide access to Bookkeeping Information, Game and Coin Adjustment Settings, and Various Diagnostic Tests.

A. The categories in the service index are listed below:

- 01 Bookkeeping
- 02 Game Adjustment
- 03 Credit/Coin Adjustment
- 04 Monitor Test
- 05 Sound Test
- 06 Gun Adjustment Mode
- 07 Game Play Statistics

B. Selecting a category:

To select a category you:

- (1) push the Player One button to move the Red Bar up the index.
- (2) push the Player Two button to move the Red Bar down the index.
- (3) To select a category push the Fire Button on the gun.
- (4) To exit from a category, push the Fire Button on the gun.

C. Description of Categories:

01 Bookkeeping: The Bookkeeping category contains information on:

- (1) Total plays
- (2) Coins through the left coin chute.
- (3) Coins through the right coin chute.
- (4) Total seconds played
- (5) Longest game in seconds
- (6) Shortest game in seconds
- (7) Highest game score
- (8) Highest rack played

To reset the categories back to zero, push switch number two (2) on the ZPU-2000 Board (See ZPU illustration, Sec. 4). This resets all categories except number 7, highest game score, this is handled separately.

NOTE: Number 6, shortest game in seconds is reset to 99.

HIGHEST GAME SCORE:

The CFB System displays twenty (20) high scores in two different categories; All Time and Today.

Scores in the Today column are reset every time the machine is turned off.

Scores in the All Time column are retained in memory and are not reset when the machines is turned off.

Scores in the All Time Column, can be cleared One At A Time by pushing Switch Number One on the ZPU-200 Board (See ZPU Illustration Sec. 4). Each push of Switch One clears the highest score of the group and all other scores move up. To clear the entire column push Switch One, ten (10) times.

02 Game Adjustments:

Displays how a particular adjustment has been set, the dip switches controlling that function, and the status of those switches.

03 Credit/Coin Adjustments:

Show what Coin/Credit combination has been set for both the Left and Right Coin Chutes, and which switches control each chute.

04 Monitor Test:

Displays a Red, Blue, Green or Crosshatch pattern on the screen for monitor adjustments.

To change screens, push the Player One button.

05 Sound Test:

Allows you to test each sound of the game individually. To do this use either the Player One or Player Two buttons to call up the number of the sound (See Chart) you want to test. Pushing the Fire Button on the gun creates the sound.

To exit the Sound Test, call up position number 23 (Exit Sound Test) and push the Fire Button on the gun.

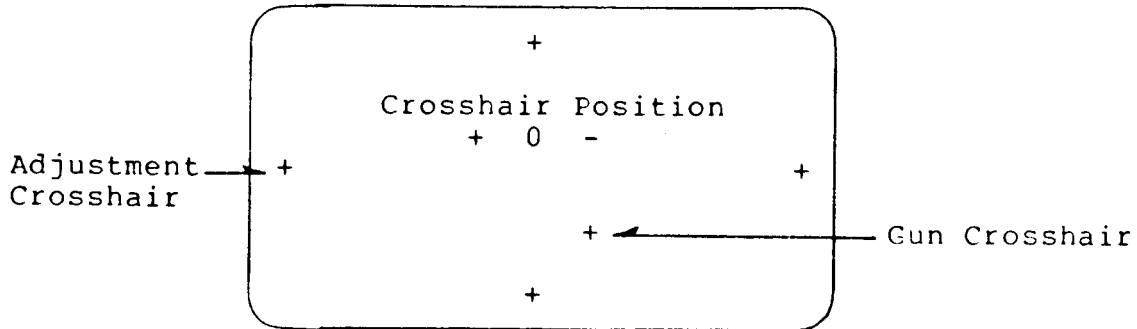
LIST OF GAME SOUNDS:

01	N/U
02	Credit
03	Game Start
04	Extra Life
05	Saucer lift-off
06	Bonus score add sound
07	Saucer flying
08	Saucer Zapping life
09	Game over
10	Aliens coming onto screen
11	Aliens entering ship
12	
13	Gun sound
14	Alien hit sound
15	Wall hit sound
16	N/U
17	Saucer exploding
18	Freeze target hit sound
19	Thaw out sound
20	Typing sound
21	Title page, sound of yellow line going through letters.
22	Title page, sound of yellow line when through letters.
23	Exit sound test

06 Gun Adjustment Mode:

This mode allows you to adjust the position of the shot on the screen.

CAUTION: Right, Left, Top, Bottom is the proper adjustment sequence. It must be followed for proper adjustment.



To adjust the gun shot, move the gun crosshair to the right adjustment crosshair first.

Using the adjustment tool, included in the service envelope, adjust Pot R1 on the UIB Board (located behind the gun access panel) (For location and identification of UIB trim pots, see UIB illustration in Sec. IV).

Adjust the pot until the 0 of the crosshair position turns from green to red. For proper final adjustment, the 0 of the crosshair position should be red, and the + and - should be green.

To complete the gun adjustment, adjust;

Left, Pot R2 on UIB Board
Top, Pot R3 on UIB Board
Bottom, Pot R4 on UIB Board

in that order.

NOTE: Only one of the adjustment crosshairs is on the screen at a time. To move the crosshair to the next position push the Player One button.

To exit test, push the Fire Button on the gun.

07 Game Play Statistics:

This category contains information on:

(1) Range of scores:

This page shows the range of scores achieved in 10K points increments. It displays values from 0 to 140K points. It also shows how many times each level was reached.

(2) Range of times:

This page shows the range of time played, in minutes. Times shown are from 0 to 14 minutes and increase at one minute intervals.

(3) Range of racks:

This page shows the number of times the highest rack per game was reached.

Pushing the Player One Button changes the display to the next page.

Pushing the Player Two Button clears the page being displayed back to zero.

SECTION III

SWITCH TEST

The switch test can be turned on two different ways:

- (1) By turning switch number 13 of the ZPU Board on and pushing the Reset Button (SW3).
- (2) Holding the Player One start button closed during power-up.

0 = Switch open

1 = Switch closed

<u>SWITCH</u>	<u>STROBE</u>	<u>BIT</u>
Player One	5	2
Player Two	5	3
Fire Button	5	4
Right Coin Switch	5	0
Left Coin Switch	5	1
ZPU Switch 1	0	6
ZPU Switch 2	0	7
Dip Switch 4	4	0
Dip Switch 5	4	1
Dip Switch 6	4	2
Dip Switch 7	4	3
Dip Switch 8	4	4
Dip Switch 9	4	5
Dip Switch 10	4	6
Dip Switch 11	4	7
Dip Switch 12	3	0
Dip Switch 13	3	1
Dip Switch 14	3	2
Dip Switch 15	3	3
Dip Switch 16	3	4
Dip Switch 17	3	5
Dip Switch 18	3	6
Dip Switch 19	3	7
Dip Switch 20	2	0
Dip Switch 21	2	1
Dip Switch 22	2	2
Dip Switch 23	2	3
Dip Switch 24	2	4
Dip Switch 25	2	5
Dip Switch 26	2	6
Dip Switch 27	2	7
Dip Switch 28	1	0
Dip Switch 29	1	1
Dip Switch 30	1	2
Dip Switch 31	1	3
Dip Switch 32	1	4
Dip Switch 33	1	5
Dip Switch 34	1	6
Dip Switch 35	1	7

Horizontal movement of gun is Strobe 6, Bits 0 - 7.
Movement is from 0000 0000 to 1111 1111

Vertical movement of gun is Strobe 7, Bits 0 - 7
Movement is from 0000 0000 to 1111 1111.

MAZERBLAZER

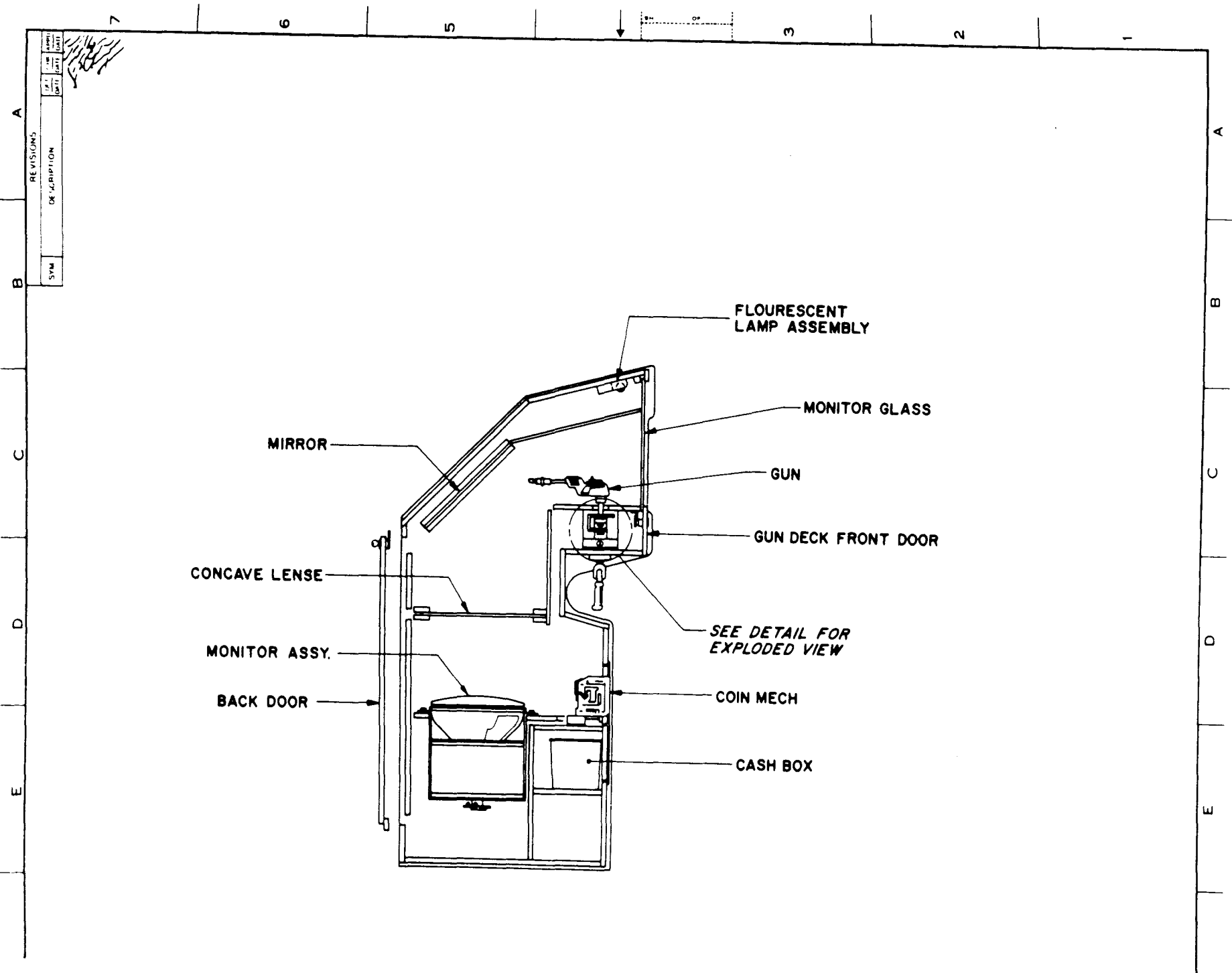


NOTE
*This staple temporarily holds
the schematic package together.
Remove the staple before using
these schematics.*

Schematic Package Supplement

ATARI INC., 1983

MB. SP.—001
1st Printing



REVISIONS

DESCRIPTION

SYM

A

B

C

D

E

7

6

5

3

2

1

A

B

C

D

E

FLOURESCENT LAMP ASSEMBLY

MONITOR GLASS

GUN

GUN DECK FRONT DOOR

SEE DETAIL FOR EXPLODED VIEW

COIN MECH

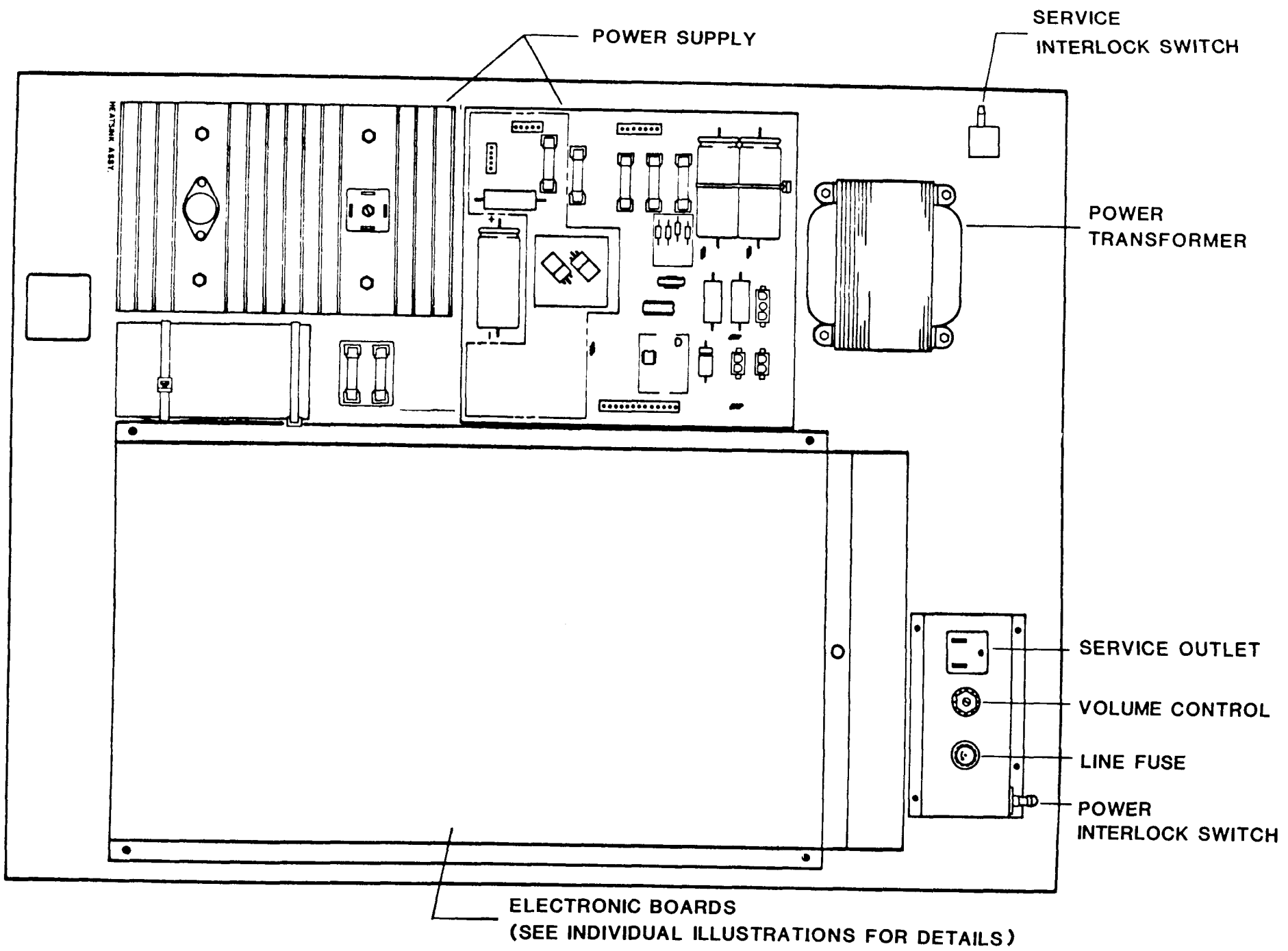
CASH BOX

MIRROR

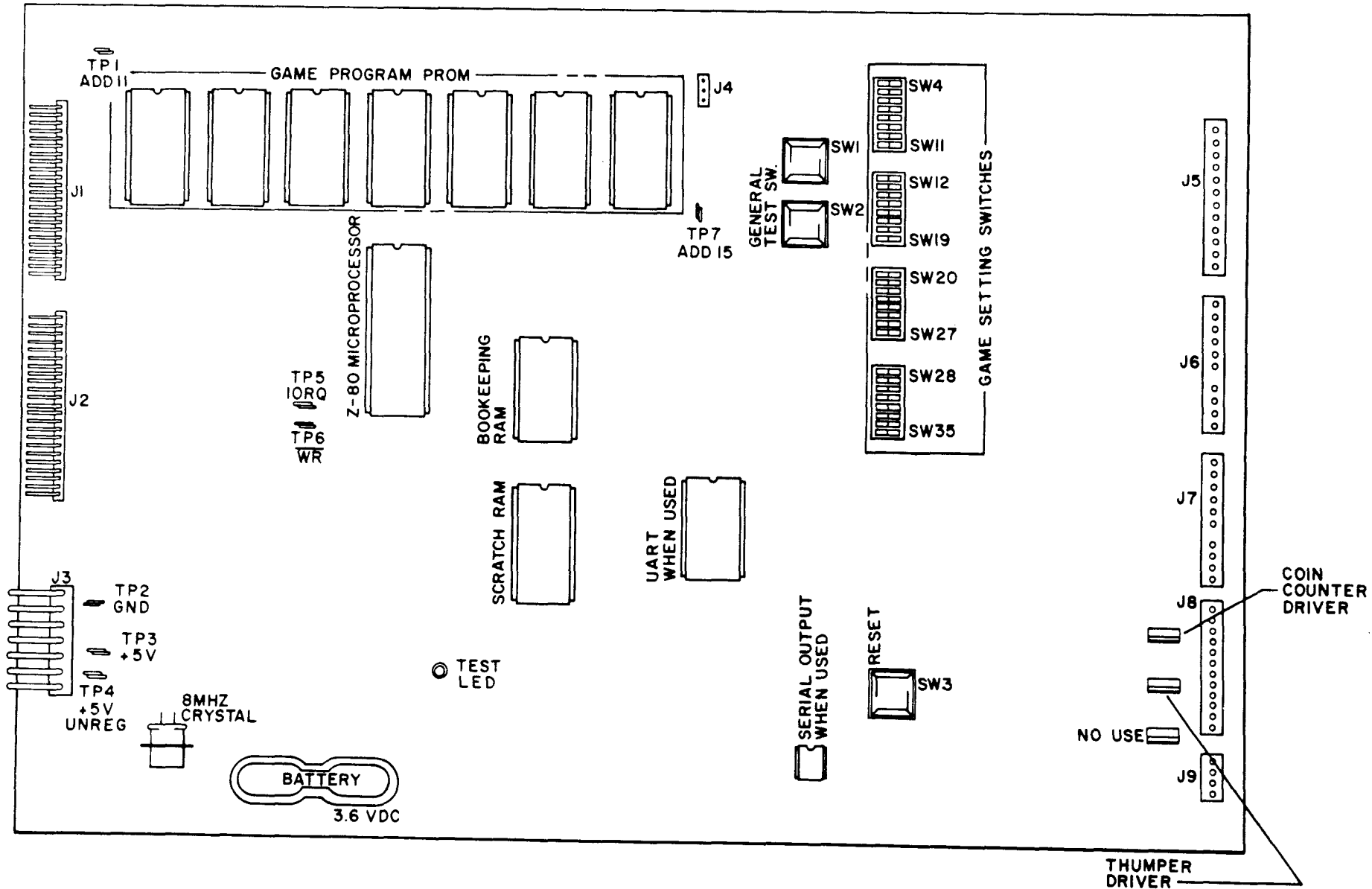
CONCAVE LENSE

MONITOR ASSY.

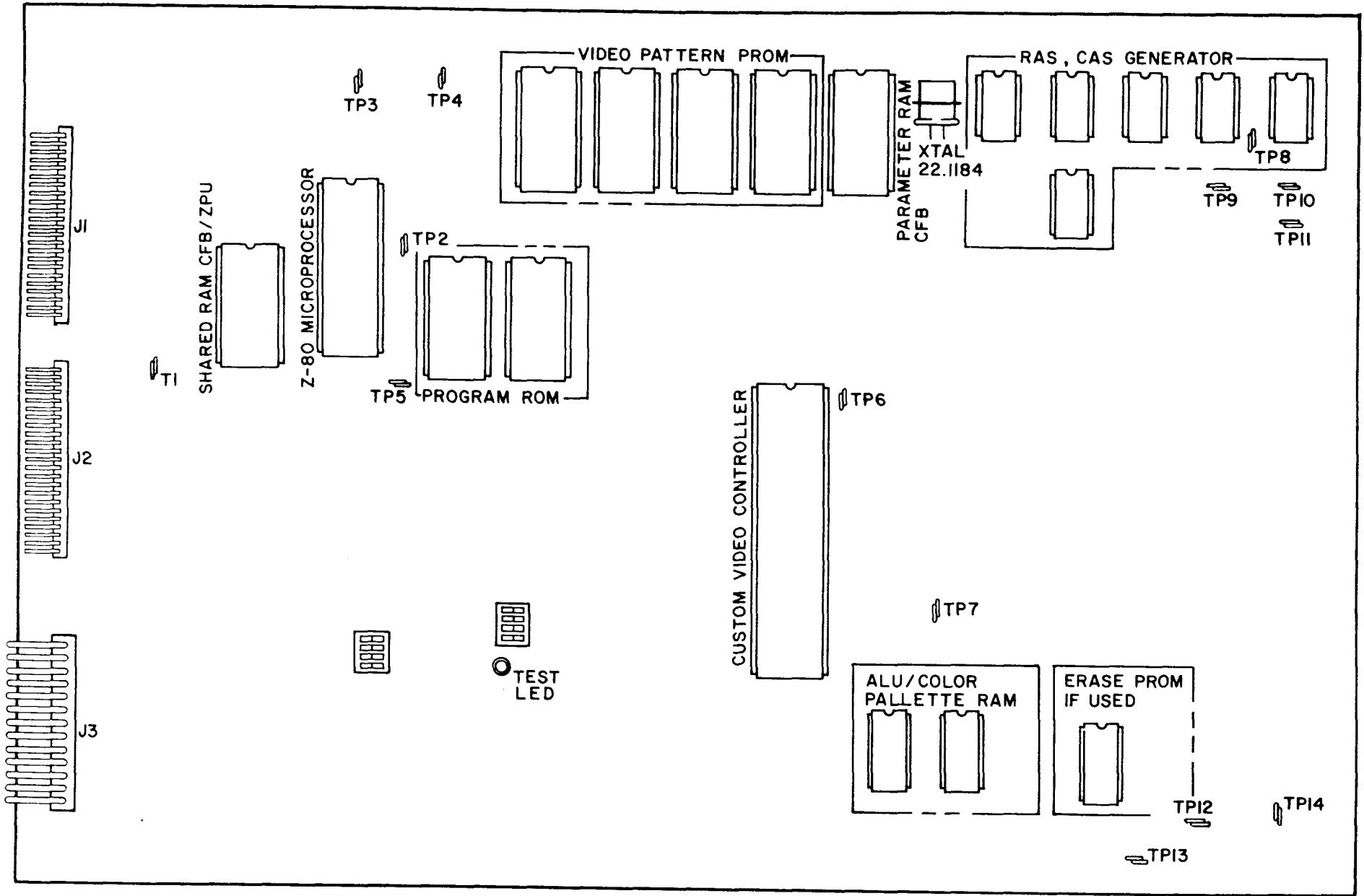
BACK DOOR



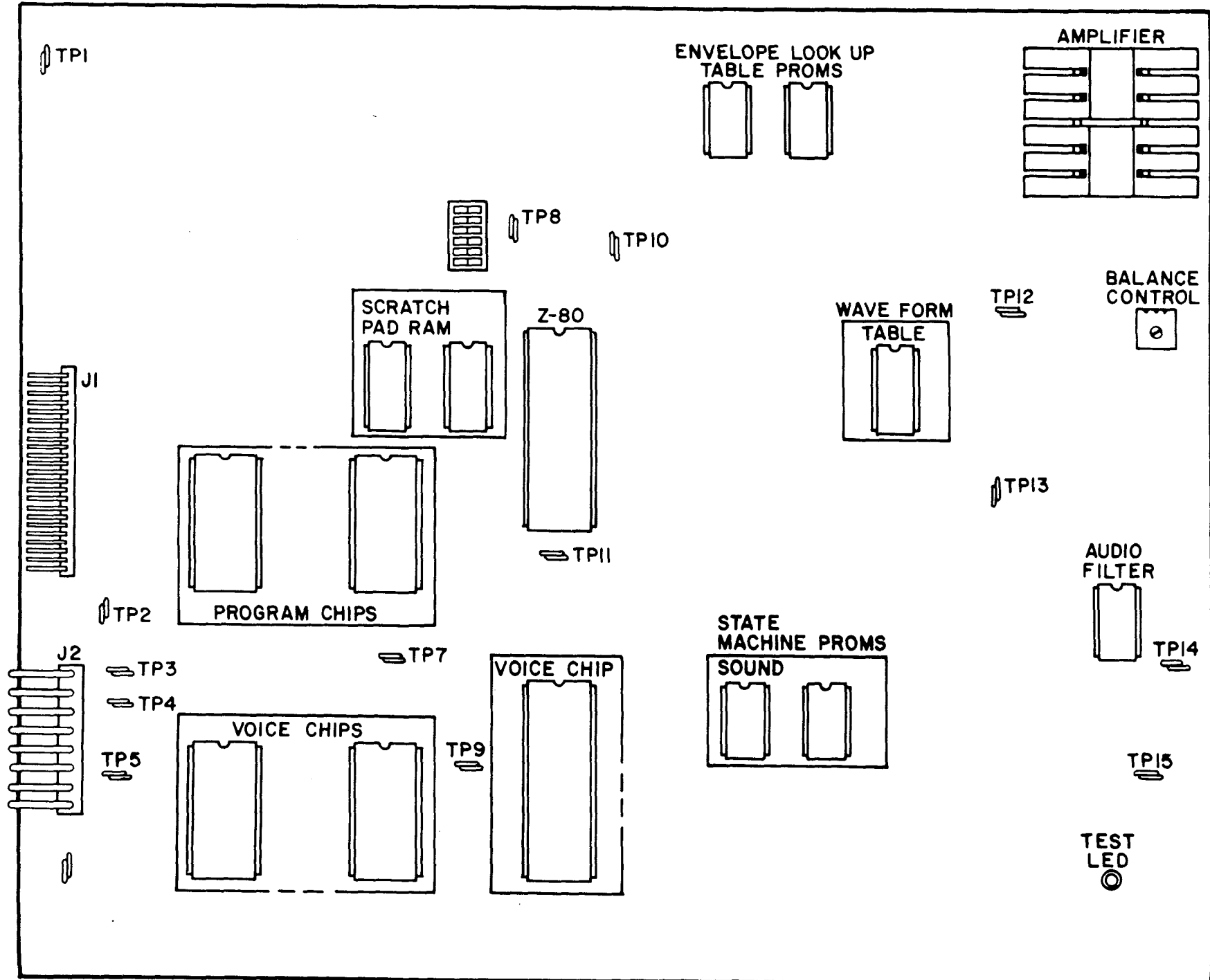
ZPU P.C. BOARD



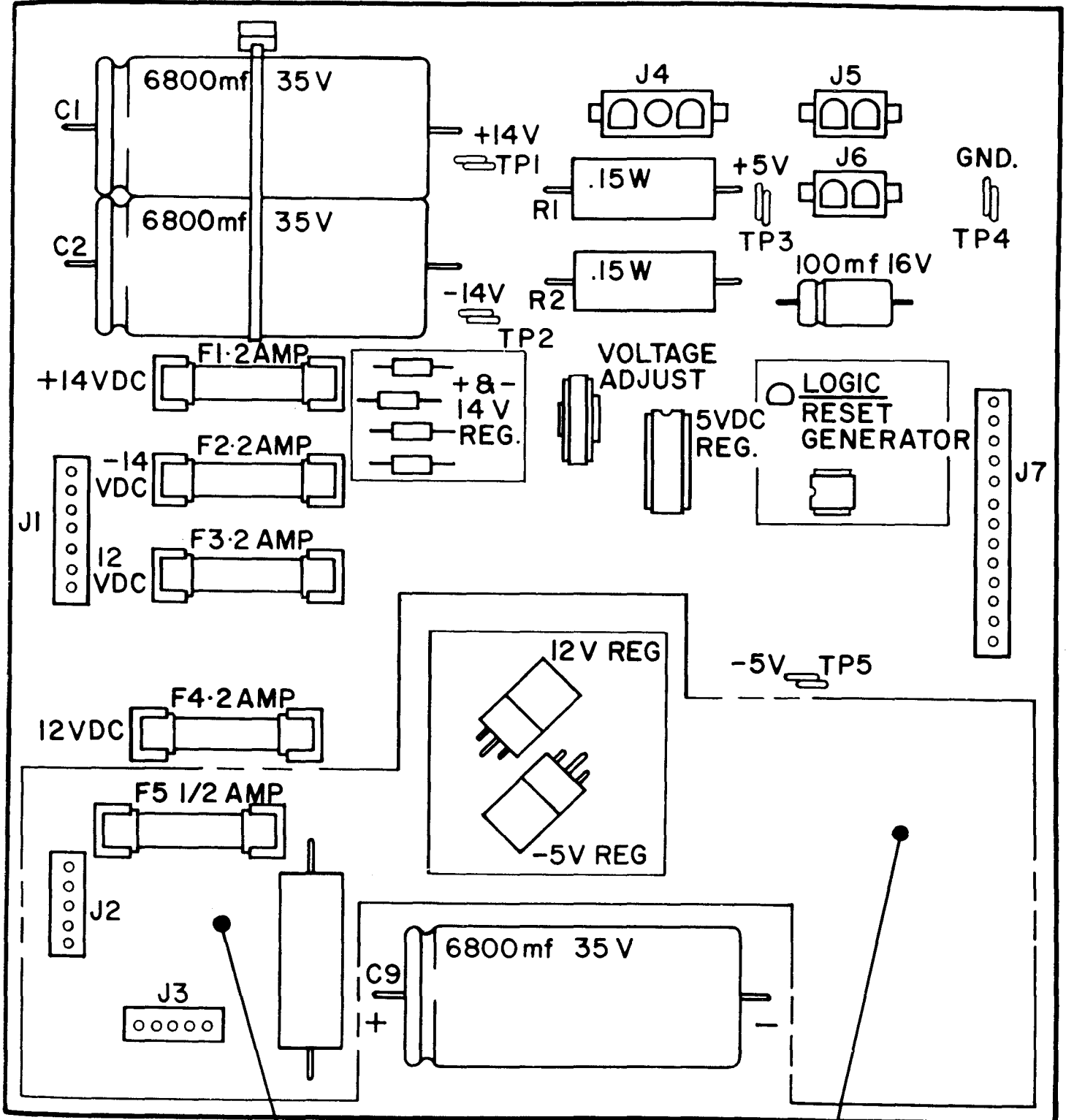
CFB-1000 P.C. BOARD



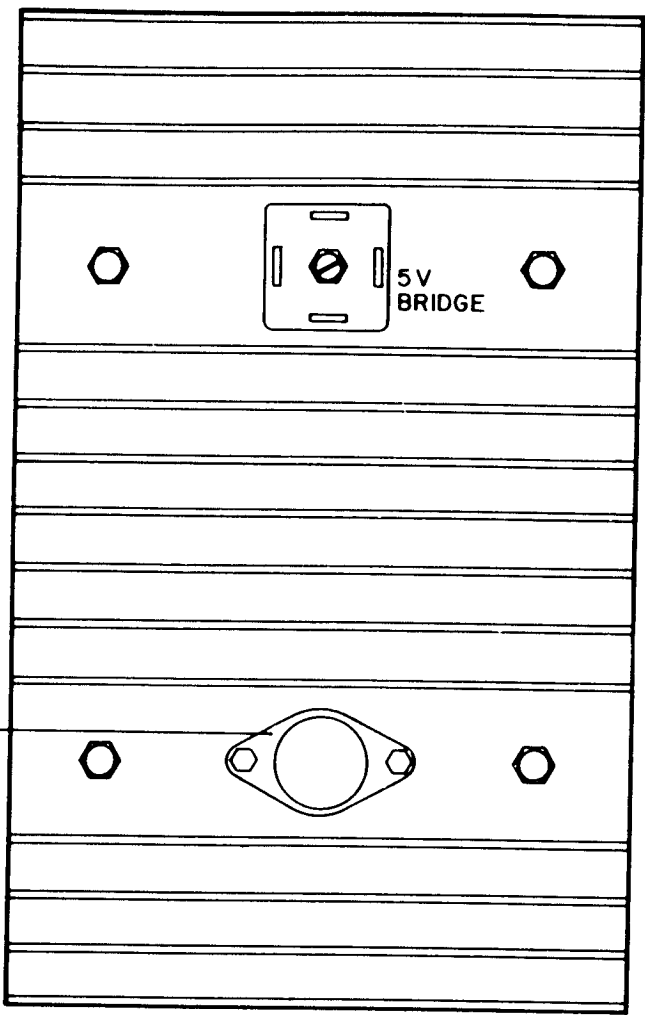
VSB-2000 P.C.B.



PS-1400 P.C.BOARD



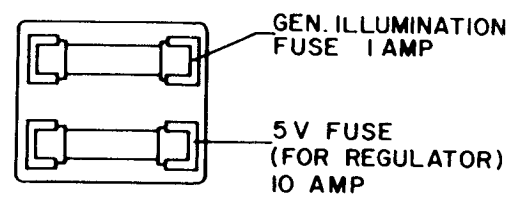
THIS SECTION OF P.C. BOARD
NOT USED FOR MAZER BLAZER



5V
VOLTAGE
REGULATOR

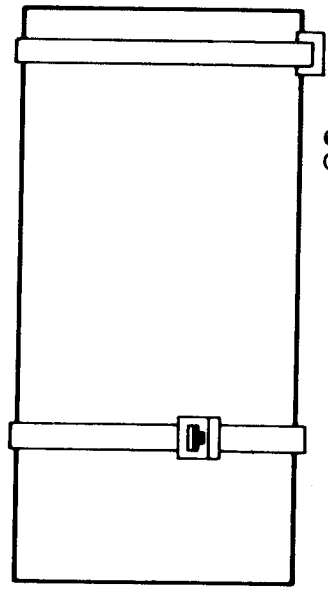
5V
BRIDGE

HEATSINK ASSY.

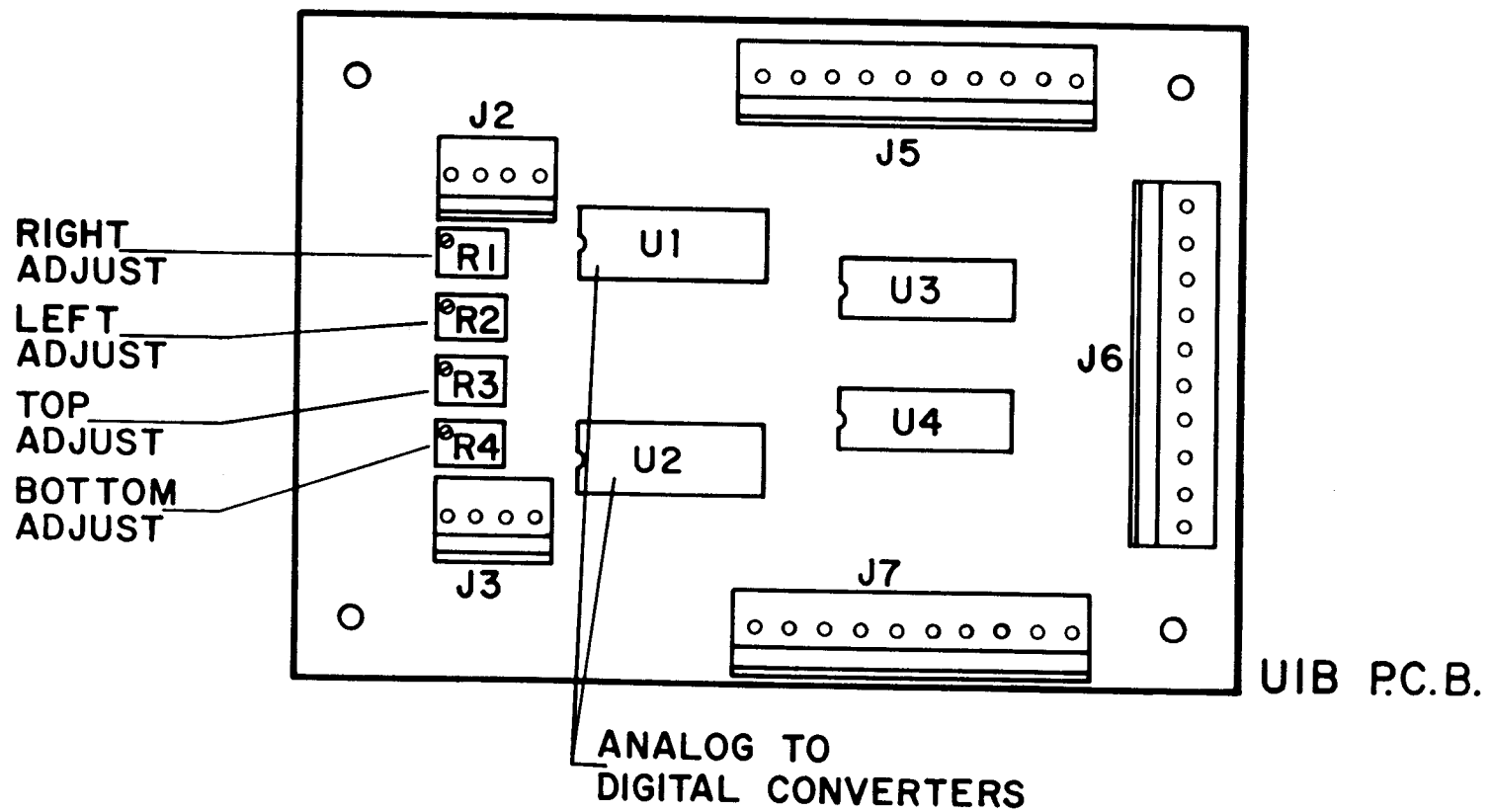


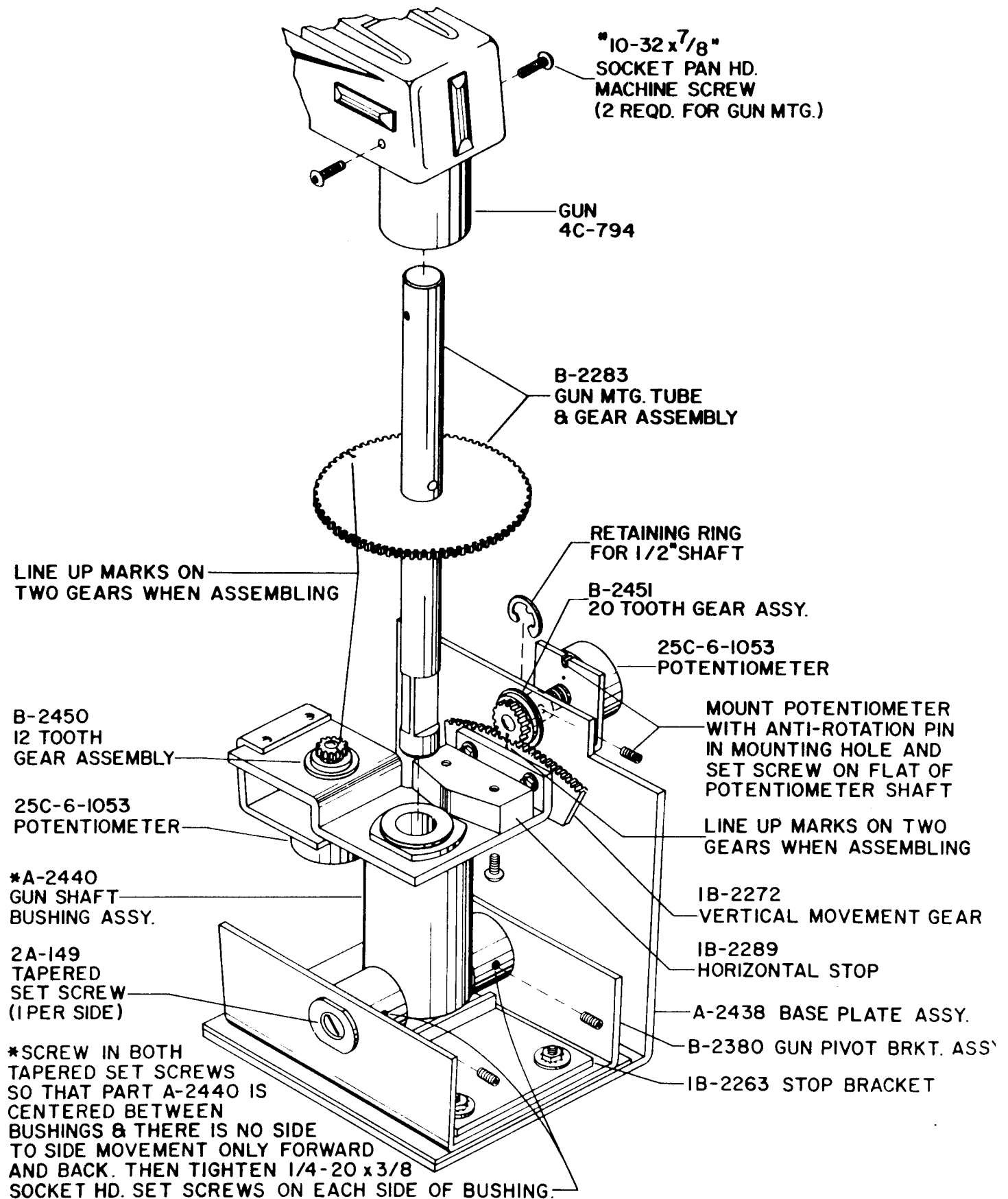
GEN. ILLUMINATION
FUSE 1 AMP

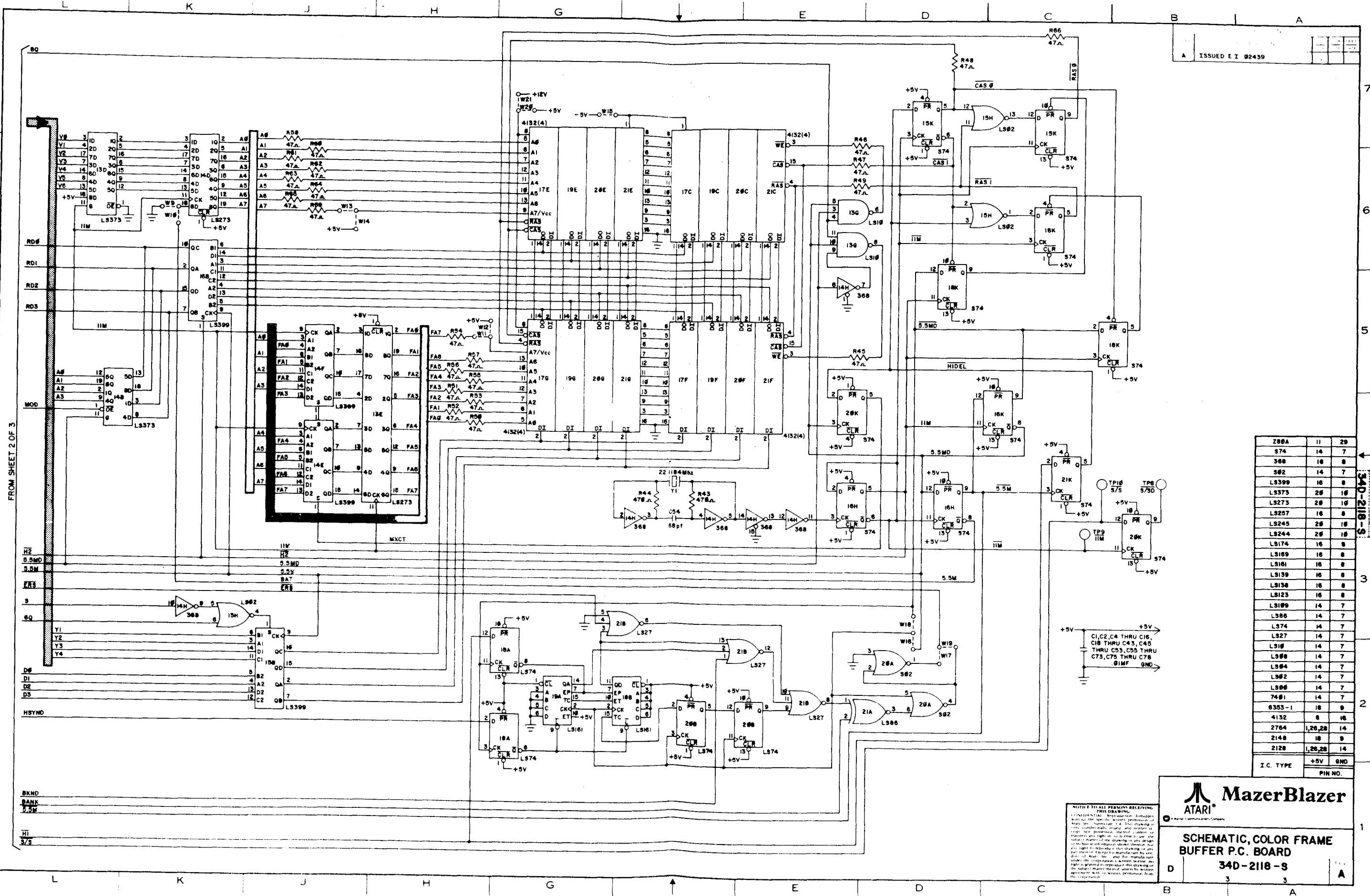
5V FUSE
(FOR REGULATOR)
10 AMP



68000mf-20V
CAPACITOR







340-2118-3			
REF	QTY	DESCRIPTION	UNIT
200A	11	20	
S74	14	7	
368	16	8	
S62	14	7	
LS309	16	8	
LS373	20	10	
LS273	20	10	
LS245	20	10	
LS244	20	10	
LS174	16	8	
LS169	16	8	
LS161	16	8	
LS159	16	8	
LS158	16	8	
LS123	16	8	
LS109	14	7	
LS86	14	7	
LS74	14	7	
LS27	14	7	
LS10	14	7	
LS08	14	7	
LS04	14	7	
LS02	14	7	
LS06	14	7	
7491	14	7	
6355-1	16	8	
4132	8	16	
2764	1,26,28	14	
2148	16	8	
2128	1,26,28	14	
I.C. TYPE			+5V GND
			PIN NO.

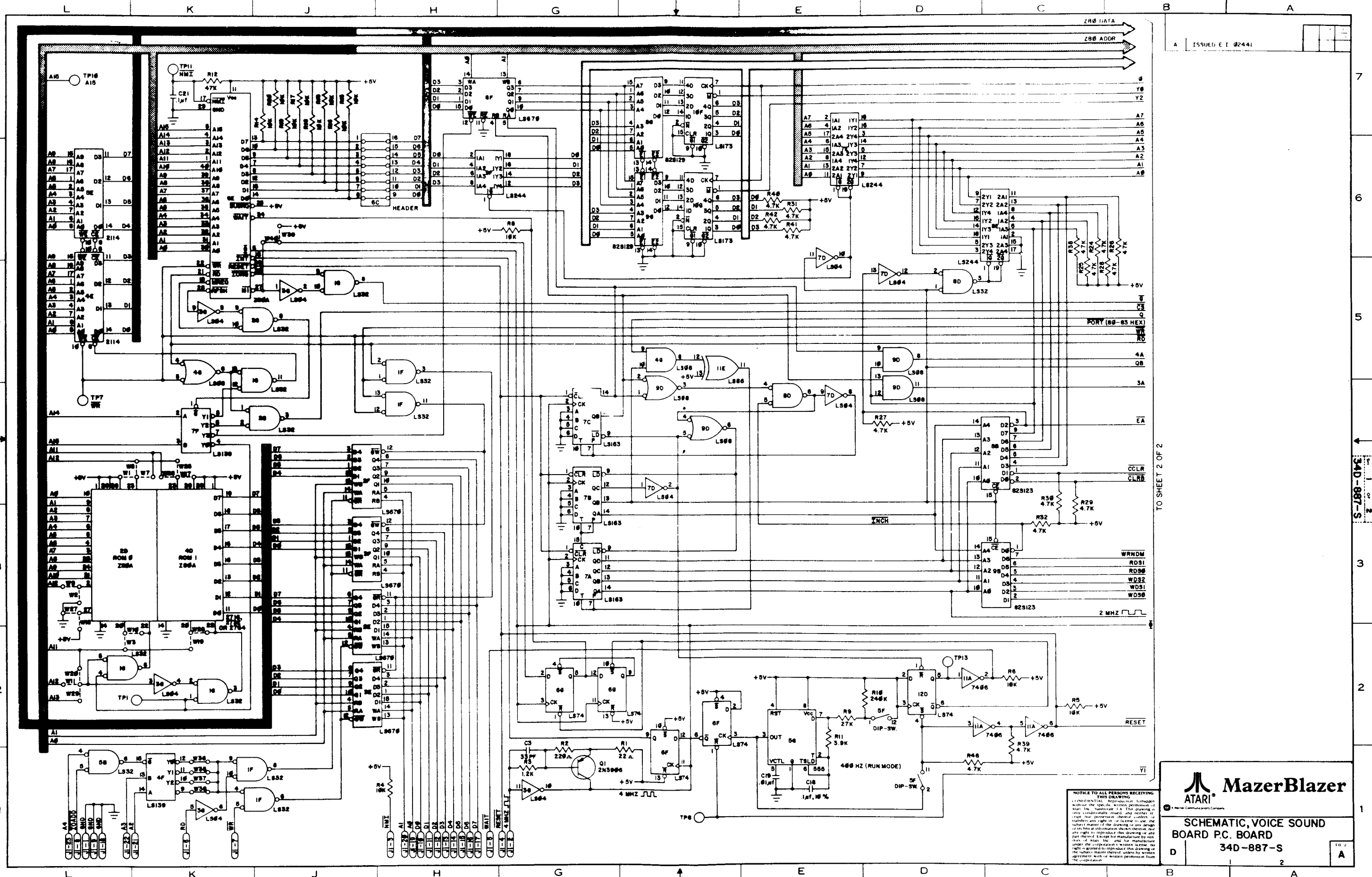
NOTE TO ALL PERSONS RECEIVING THIS DRAWING:
 1. UNLESS STATED OTHERWISE, THE DRAWING IS THE PROPERTY OF ATARI, INC. AND IS TO BE KEPT CONFIDENTIAL.
 2. NO PART OF THIS DRAWING IS TO BE REPRODUCED OR TRANSMITTED IN ANY FORM OR BY ANY MEANS, ELECTRONIC OR MECHANICAL, INCLUDING PHOTOCOPYING, RECORDING, OR BY ANY INFORMATION STORAGE AND RETRIEVAL SYSTEM, WITHOUT THE WRITTEN PERMISSION OF ATARI, INC.
 3. THE USER OF THIS DRAWING IS TO BE RESPONSIBLE FOR OBTAINING ALL NECESSARY PERMITS AND LICENSES FOR THE USE OF THE INFORMATION CONTAINED HEREIN.

MazerBlazer
 ATARI®
 SCHEMATIC, COLOR FRAME
 BUFFER P.C. BOARD
 340-2118-3

FROM SHEET 2 OF 3

BKND
BANK
5/5

HI
3/5



ISSUED E E 0244

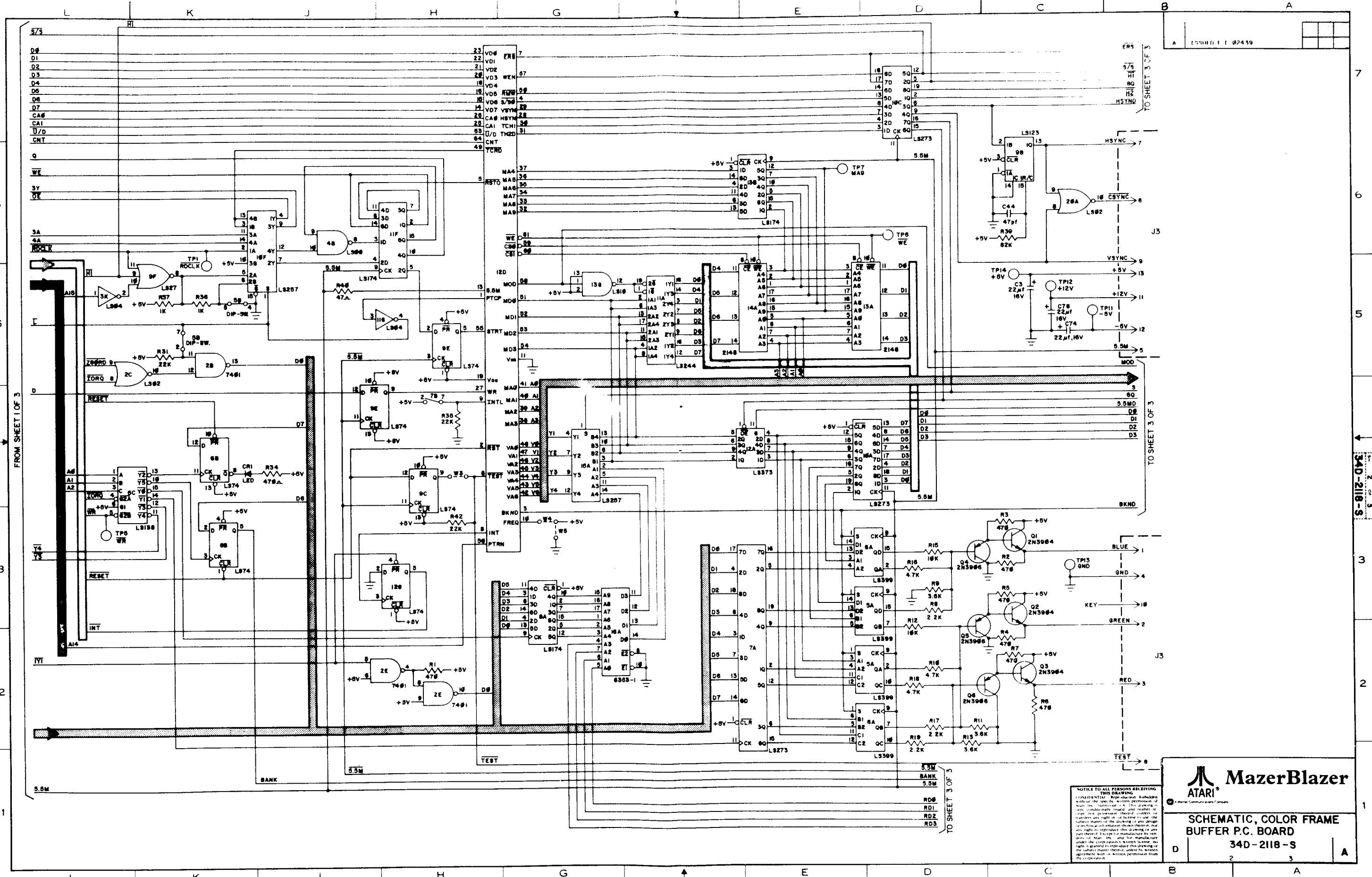
TO SHEET 2 OF 2

NOTICE TO ALL PERSONS RECEIVING THIS DRAWING: This drawing is the property of Atari, Inc. and is to be used only for the purpose intended. It is to be kept confidential and not to be distributed to any other person without the written permission of Atari, Inc. If you are a customer of Atari, Inc. and you have received this drawing, you are hereby notified that you are not to use, copy, or reproduce this drawing or any part thereof, except for manufacture by you under the supervision of a written license, no right is granted to reproduce this drawing or the values, matter, electrical values, or written agreement with the written permission from the corporation.

ATARI MazerBlazer
 SCHEMATIC, VOICE SOUND BOARD P.C. BOARD
 340-887-S

340-887-S

2



TO SHEET 3 OF 3

FROM SHEET 1 OF 3

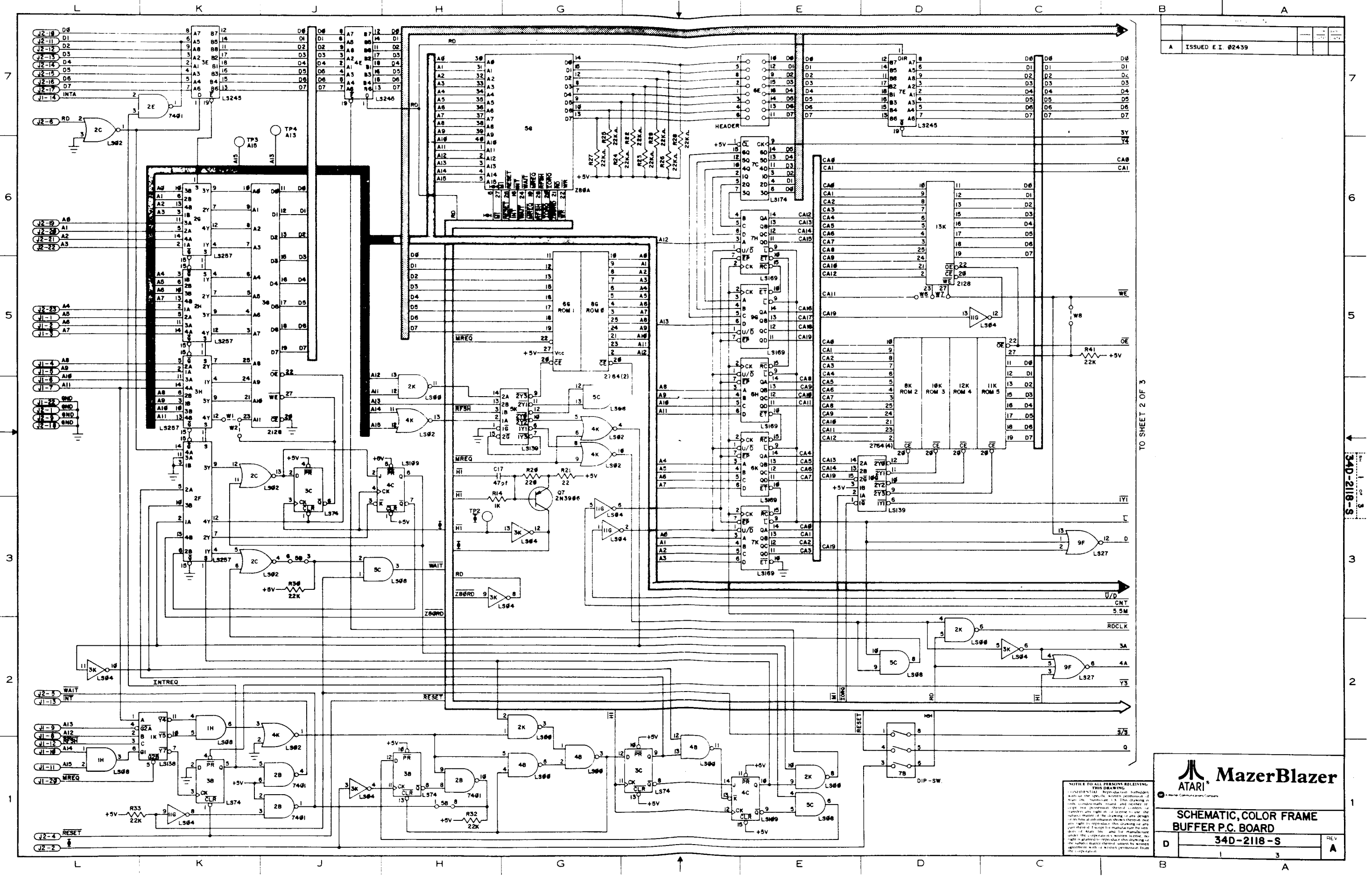
TO SHEET 3 OF 3

NOTICE TO ALL PERSONS BELIEVING THIS DRAWING IS CONFIDENTIAL: Reproduction, distribution, or disclosure of this drawing without the specific written permission of Atari Inc. is prohibited. Atari Inc. reserves all rights in this drawing and the information contained herein. No part of this drawing may be reproduced or transmitted in any form or by any means, electronic, mechanical, photocopying, recording, or by any information storage and retrieval system, without the prior written permission of Atari Inc. and its manufacturer.



SCHMATIC, COLOR FRAME BUFFER P.C. BOARD
34D-2118-S

D 2 3 A



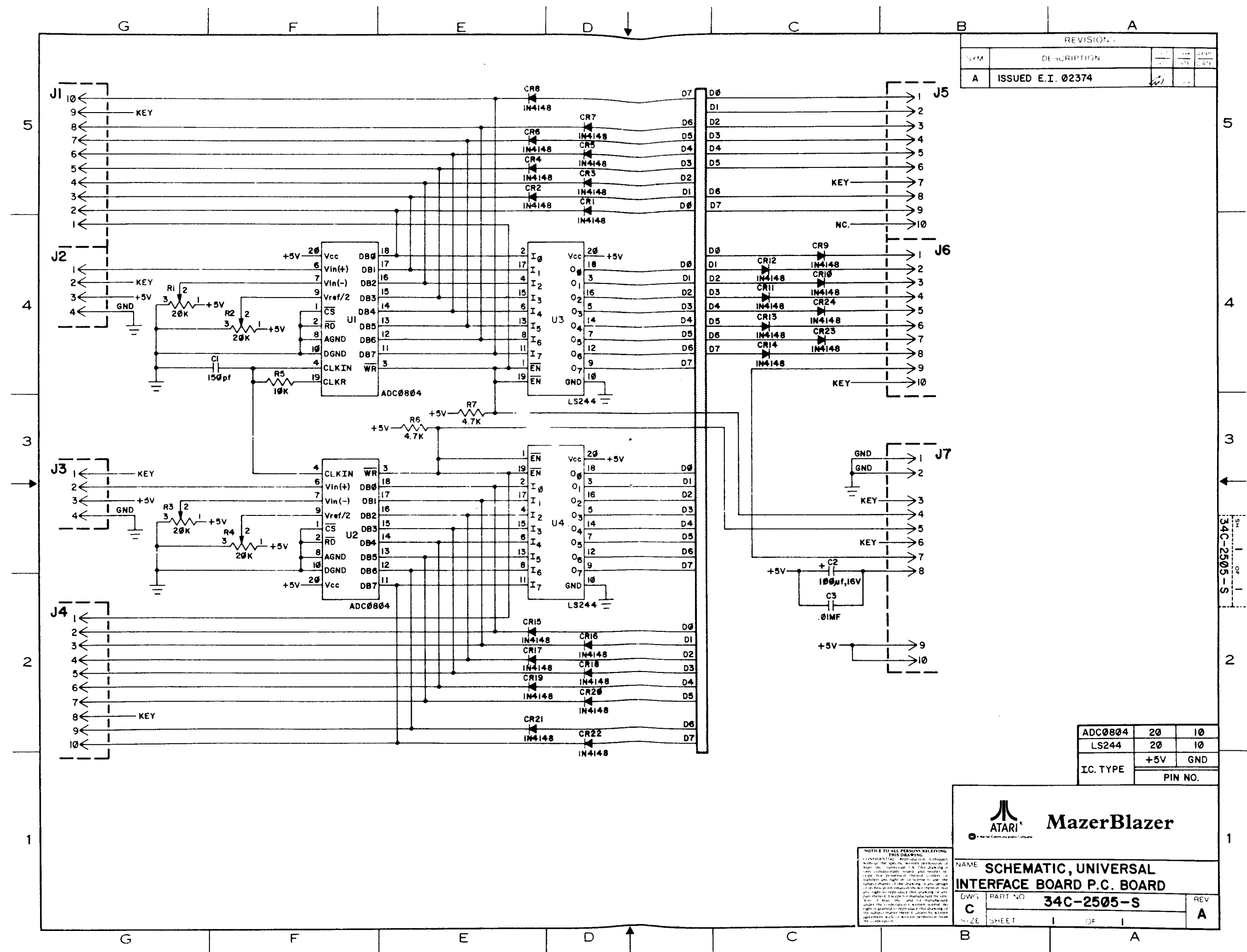
A ISSUED E.I. 02439

TO SHEET 2 OF 3

34D-218-S

NOTICE TO ALL PERSONS RECEIVING THIS DRAWING: (UNLESS STATED) Reproduction, distribution, or use of this drawing without the specific written permission of Atari, Inc. is prohibited. This drawing is the property of Atari, Inc. and is loaned to you for your use only. It is not to be used for any other purpose without the written permission of Atari, Inc. All rights are reserved. No part of this drawing is to be reproduced or transmitted in any form or by any means, electronic, mechanical, photocopying, recording, or by any information storage and retrieval system, without the prior written permission of Atari, Inc.

ATARI MazerBlazer
 SCHEMATIC, COLOR FRAME BUFFER P.C. BOARD
 34D-218-S
 REV A



REVISION:			
SYM	DESCRIPTION	DATE	BY
A	ISSUED E.I. 02374		

ADC0804	20	10
LS244	20	10
IC. TYPE	+5V	GND
PIN NO.		

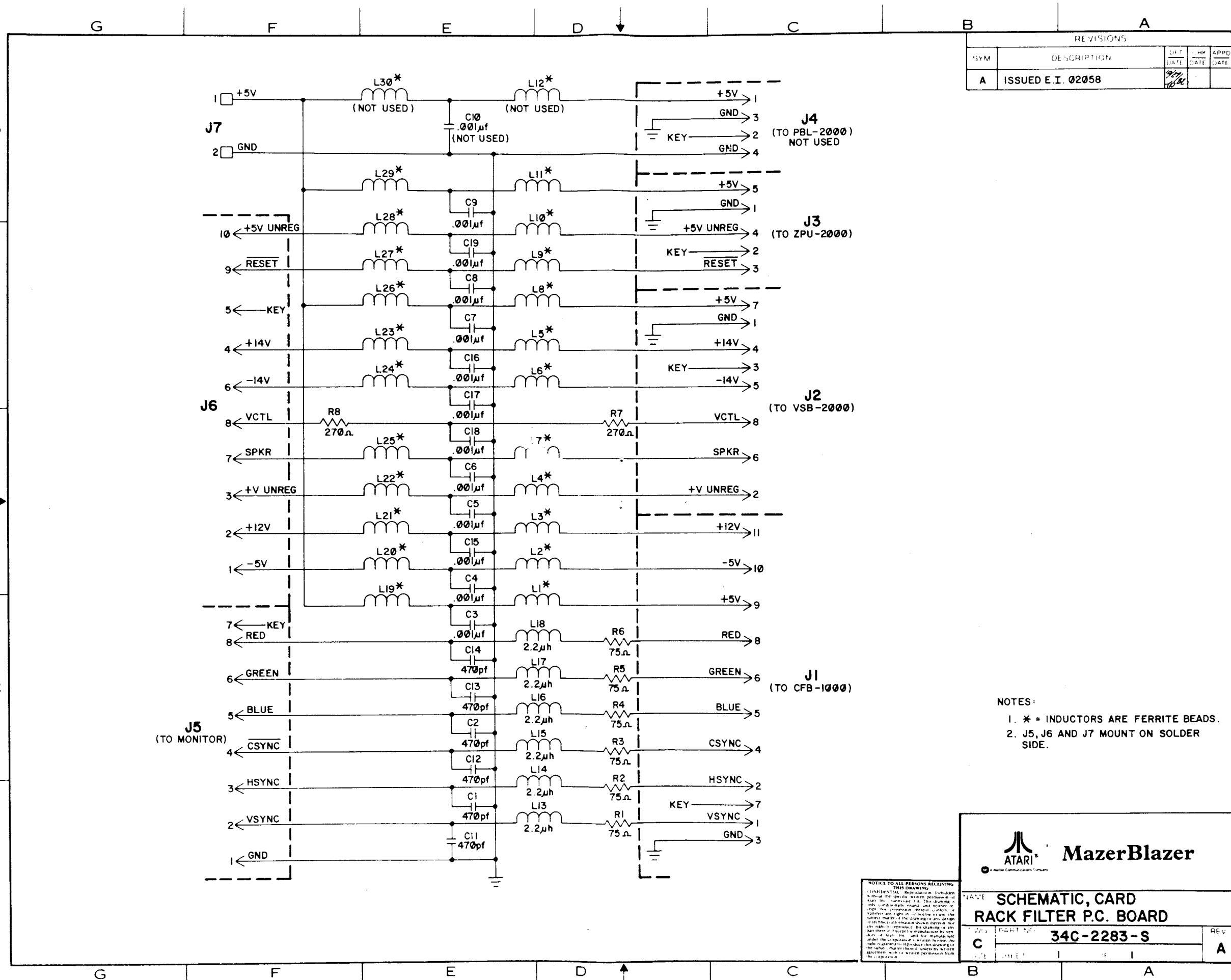
NOTICE TO ALL PERSONS RECEIVING THIS DRAWING: Reproduction or further distribution of this drawing is prohibited without the specific written permission of Atari, Inc. Atari, Inc. is the owner of all rights in this drawing and no part of it may be reproduced, stored, or transmitted in any form or by any means, electronic, mechanical, or otherwise, without the prior written permission of Atari, Inc. Atari, Inc. and its manufacturer accept no responsibility for any errors or omissions in this drawing or for any damage or loss of any kind resulting from the use of this drawing.

ATARI MazerBlazer

NAME **SCHEMATIC, UNIVERSAL INTERFACE BOARD P.C. BOARD**

DWG'S **C** PART NO. **34C-2505-S** REV **A**

SIZE SHEET OF 1



- NOTES:
- * = INDUCTORS ARE FERRITE BEADS.
 - J5, J6 AND J7 MOUNT ON SOLDER SIDE.

NOTICE TO ALL PERSONS RECEIVING THIS DRAWING: UNLESS INDICATED OTHERWISE, THIS DRAWING IS THE PROPERTY OF ATARI, INC. AND IS TO BE KEPT IN CONFIDENTIALITY. NO PART OF THIS DRAWING IS TO BE REPRODUCED OR TRANSMITTED IN ANY FORM OR BY ANY MEANS, ELECTRONIC OR MECHANICAL, INCLUDING PHOTOCOPYING, RECORDING, OR BY ANY INFORMATION STORAGE AND RETRIEVAL SYSTEM, WITHOUT THE WRITTEN PERMISSION OF ATARI, INC.

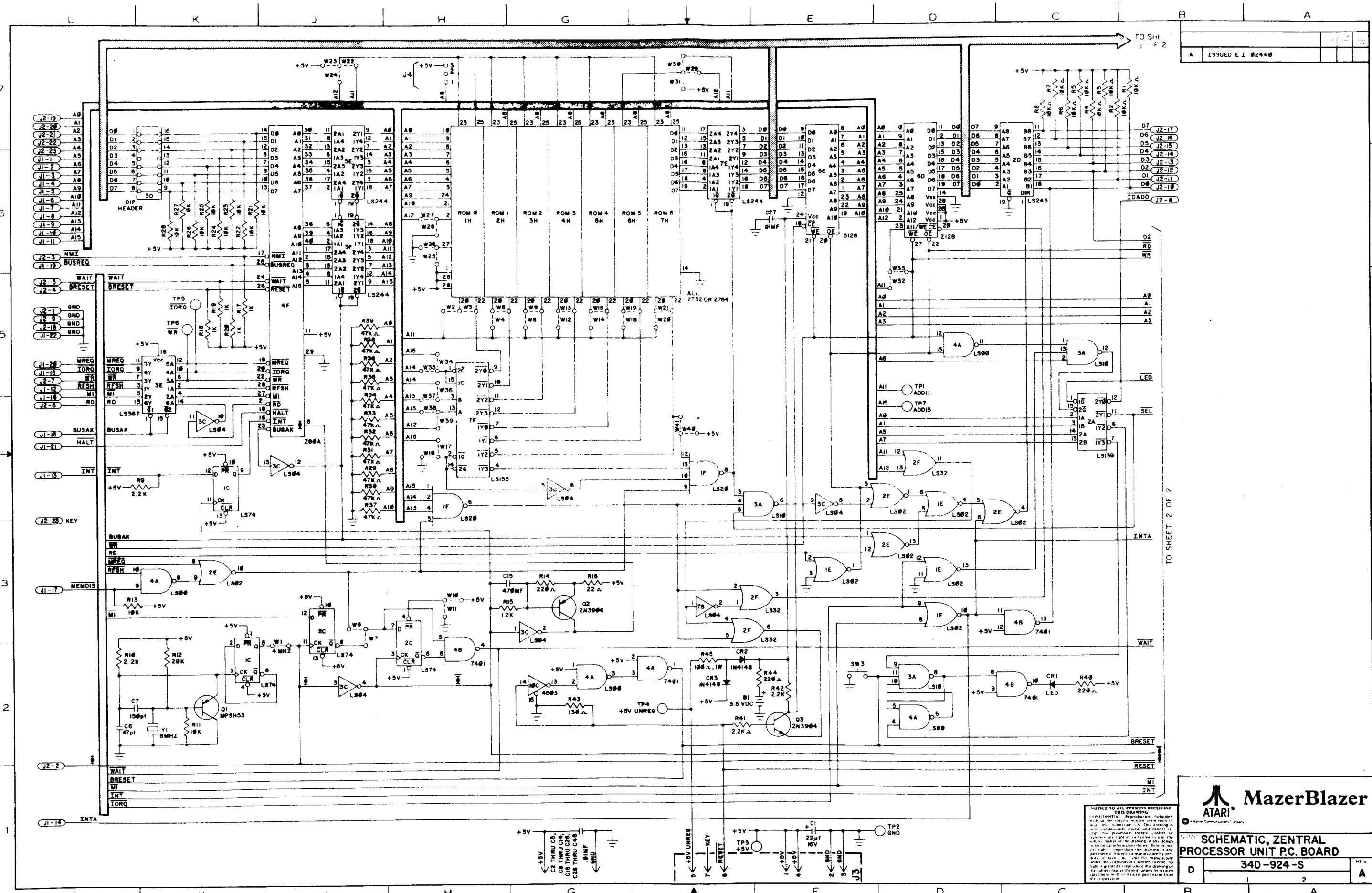
ATARI MazerBlazer

NAME: SCHEMATIC, CARD
RACK FILTER P.C. BOARD

PART NO: 34C-2283-S

REV: A

34C-2283-S
1 OF 1



NOTICE TO ALL PERSONS RECEIVING THIS DRAWING: This drawing is the property of Atari, Inc. and is to be used only for the purpose of manufacturing and repairing the equipment shown herein. No part of this drawing is to be reproduced, stored in a retrieval system, or transmitted in any form or by any means, electronic, mechanical, photocopying, recording, or by any information storage and retrieval system, without the prior written permission of Atari, Inc. The drawing is to be used only for the purpose of manufacturing and repairing the equipment shown herein. No part of this drawing is to be reproduced, stored in a retrieval system, or transmitted in any form or by any means, electronic, mechanical, photocopying, recording, or by any information storage and retrieval system, without the prior written permission of Atari, Inc.

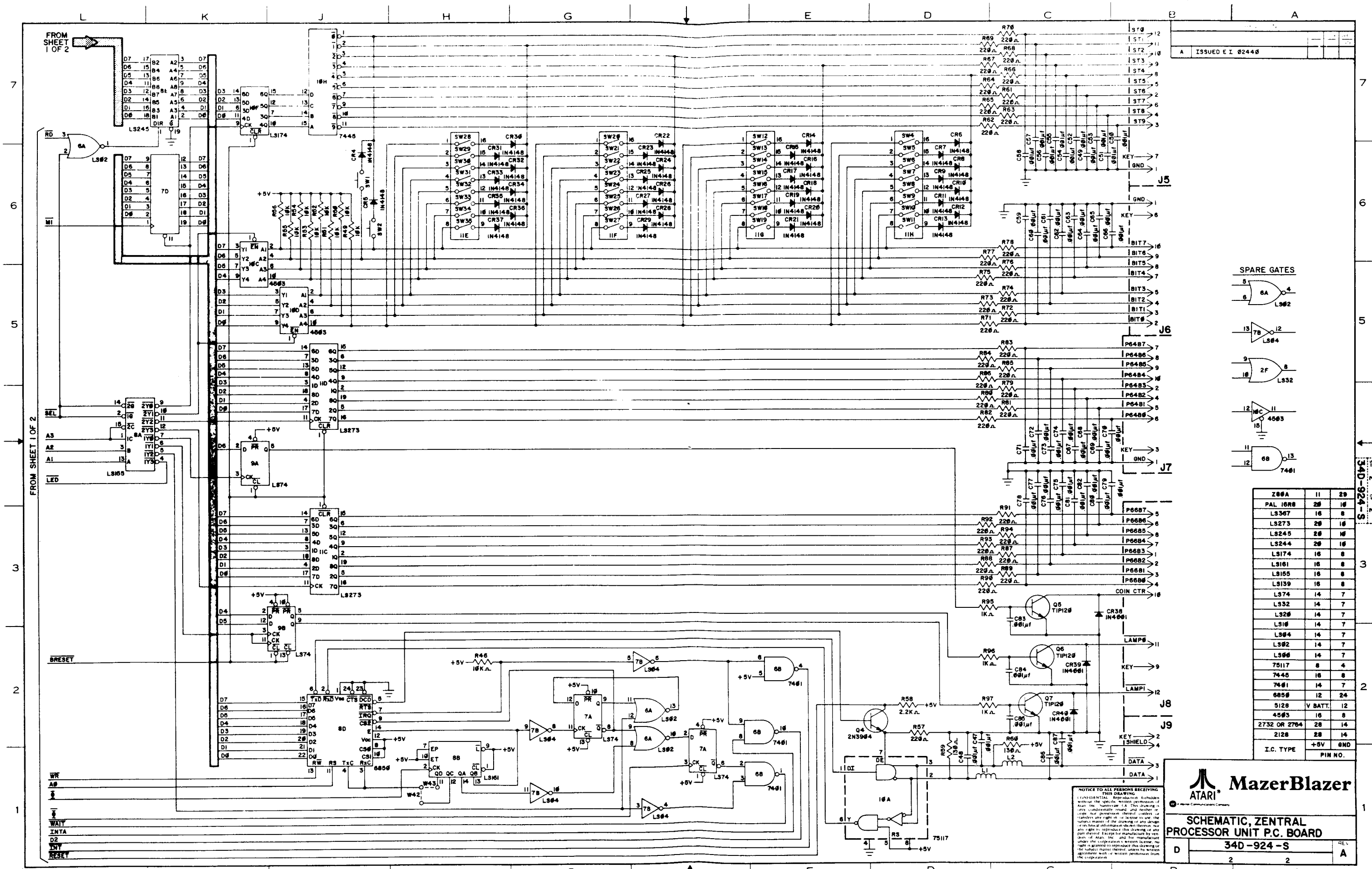
ATARI MazerBlazer

SCHEMATIC, ZENTRAL PROCESSOR UNIT PC BOARD

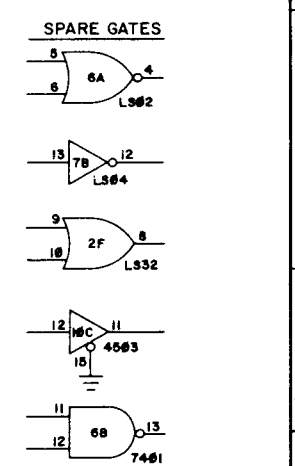
340-924-S

340-924-S

TO SHEET 2 OF 2



ISSUED E.I. 02448



Z8000	11	29
PAL 16R8	20	16
LS307	16	8
LS273	20	16
LS245	20	16
LS244	20	16
LS174	16	8
LS161	16	8
LS155	16	8
LS139	16	8
LS174	14	7
LS326	14	7
LS16	14	7
LS94	14	7
LS92	14	7
LS96	14	7
75117	8	4
7445	16	8
7401	14	7
6856	12	24
5128	V BATT.	12
4503	16	8
2732 OR 2704	20	14
2128	28	14
I.C. TYPE	+5V	0ND
		PIN NO.

NOTICE TO ALL PERSONS RECEIVING THIS DRAWING: CONFIDENTIAL. Reproduction without the specific written permission of Atari, Inc. is prohibited. This drawing is the property of Atari, Inc. and its use is restricted to the specific project for which it was prepared. It is to be destroyed when the project is completed. No part of this drawing is to be reproduced or transmitted in any form or by any means, electronic, mechanical, photocopying, recording, or by any information storage and retrieval system, without the prior written permission of Atari, Inc.

ATARI MazerBlazer
Schematic, Z8000
PROCESSOR UNIT P.C. BOARD
340-924-S

FROM SHEET 1 OF 2

FROM SHEET 2 OF 2

FROM SHEET 3 OF 2

FROM SHEET 4 OF 2

FROM SHEET 5 OF 2

FROM SHEET 6 OF 2

FROM SHEET 7 OF 2

FROM SHEET 8 OF 2

FROM SHEET 9 OF 2

FROM SHEET 10 OF 2

FROM SHEET 11 OF 2

FROM SHEET 12 OF 2

FROM SHEET 13 OF 2

FROM SHEET 14 OF 2

FROM SHEET 15 OF 2

FROM SHEET 16 OF 2

FROM SHEET 17 OF 2

FROM SHEET 18 OF 2

FROM SHEET 19 OF 2

FROM SHEET 20 OF 2

FROM SHEET 21 OF 2

FROM SHEET 22 OF 2

FROM SHEET 23 OF 2

FROM SHEET 24 OF 2

FROM SHEET 25 OF 2

FROM SHEET 26 OF 2

FROM SHEET 27 OF 2

FROM SHEET 28 OF 2

FROM SHEET 29 OF 2

FROM SHEET 30 OF 2

FROM SHEET 31 OF 2

FROM SHEET 32 OF 2

FROM SHEET 33 OF 2

FROM SHEET 34 OF 2

FROM SHEET 35 OF 2

FROM SHEET 36 OF 2

FROM SHEET 37 OF 2

FROM SHEET 38 OF 2

FROM SHEET 39 OF 2

FROM SHEET 40 OF 2

FROM SHEET 41 OF 2

FROM SHEET 42 OF 2

FROM SHEET 43 OF 2

FROM SHEET 44 OF 2

FROM SHEET 45 OF 2

FROM SHEET 46 OF 2

FROM SHEET 47 OF 2

FROM SHEET 48 OF 2

FROM SHEET 49 OF 2

FROM SHEET 50 OF 2

FROM SHEET 51 OF 2

FROM SHEET 52 OF 2

FROM SHEET 53 OF 2

FROM SHEET 54 OF 2

FROM SHEET 55 OF 2

FROM SHEET 56 OF 2

FROM SHEET 57 OF 2

FROM SHEET 58 OF 2

FROM SHEET 59 OF 2

FROM SHEET 60 OF 2

FROM SHEET 61 OF 2

FROM SHEET 62 OF 2

FROM SHEET 63 OF 2

FROM SHEET 64 OF 2

FROM SHEET 65 OF 2

FROM SHEET 66 OF 2

FROM SHEET 67 OF 2

FROM SHEET 68 OF 2

FROM SHEET 69 OF 2

FROM SHEET 70 OF 2

FROM SHEET 71 OF 2

FROM SHEET 72 OF 2

FROM SHEET 73 OF 2

FROM SHEET 74 OF 2

FROM SHEET 75 OF 2

FROM SHEET 76 OF 2

FROM SHEET 77 OF 2

FROM SHEET 78 OF 2

FROM SHEET 79 OF 2

FROM SHEET 80 OF 2

FROM SHEET 81 OF 2

FROM SHEET 82 OF 2

FROM SHEET 83 OF 2

FROM SHEET 84 OF 2

FROM SHEET 85 OF 2

FROM SHEET 86 OF 2

FROM SHEET 87 OF 2

FROM SHEET 88 OF 2

FROM SHEET 89 OF 2

FROM SHEET 90 OF 2

FROM SHEET 91 OF 2

FROM SHEET 92 OF 2

FROM SHEET 93 OF 2

FROM SHEET 94 OF 2

FROM SHEET 95 OF 2

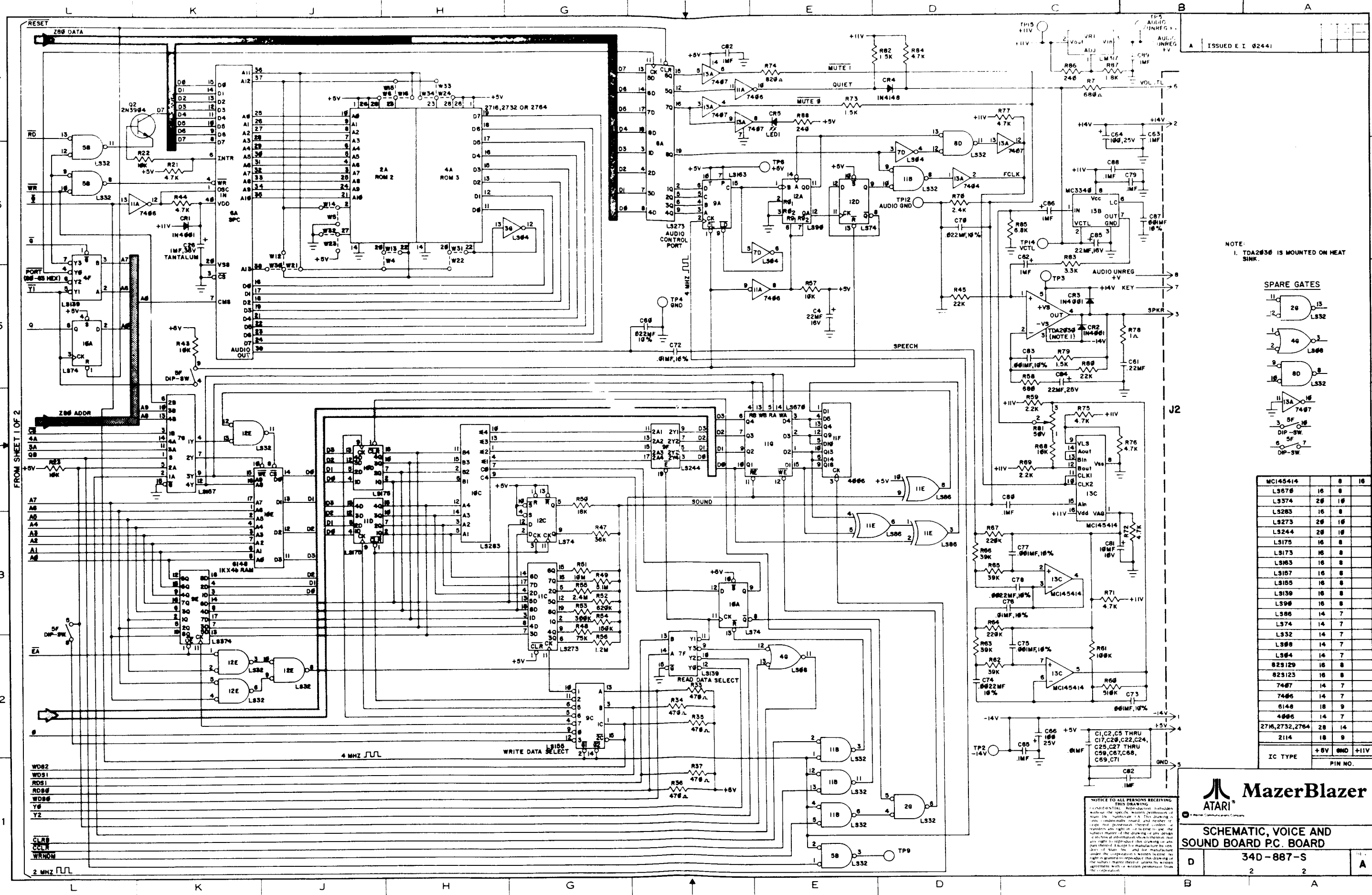
FROM SHEET 96 OF 2

FROM SHEET 97 OF 2

FROM SHEET 98 OF 2

FROM SHEET 99 OF 2

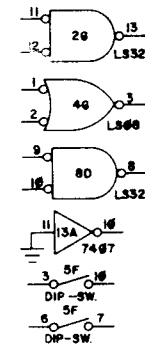
FROM SHEET 100 OF 2



A ISSUED E I 02441

NOTE:
1. TDA2030 IS MOUNTED ON HEAT SINK.

SPARE GATES



IC TYPE	1	2	3	4	5	6	7	8	9	10	11	12	13	14	15	16	17	18	19	20	21	22	23	24	25	26	27	28	29	30	31	32	33	34	35	36	37	38	39	40	41	42	43	44	45	46	47	48	49	50	51	52	53	54	55	56	57	58	59	60	61	62	63	64	65	66	67	68	69	70	71	72	73	74	75	76	77	78	79	80	81	82	83	84	85	86	87	88	89	90	91	92	93	94	95	96	97	98	99	100	101	102	103	104	105	106	107	108	109	110	111	112	113	114	115	116	117	118	119	120	121	122	123	124	125	126	127	128	129	130	131	132	133	134	135	136	137	138	139	140	141	142	143	144	145	146	147	148	149	150	151	152	153	154	155	156	157	158	159	160	161	162	163	164	165	166	167	168	169	170	171	172	173	174	175	176	177	178	179	180	181	182	183	184	185	186	187	188	189	190	191	192	193	194	195	196	197	198	199	200	201	202	203	204	205	206	207	208	209	210	211	212	213	214	215	216	217	218	219	220	221	222	223	224	225	226	227	228	229	230	231	232	233	234	235	236	237	238	239	240	241	242	243	244	245	246	247	248	249	250	251	252	253	254	255	256	257	258	259	260	261	262	263	264	265	266	267	268	269	270	271	272	273	274	275	276	277	278	279	280	281	282	283	284	285	286	287	288	289	290	291	292	293	294	295	296	297	298	299	300	301	302	303	304	305	306	307	308	309	310	311	312	313	314	315	316	317	318	319	320	321	322	323	324	325	326	327	328	329	330	331	332	333	334	335	336	337	338	339	340	341	342	343	344	345	346	347	348	349	350	351	352	353	354	355	356	357	358	359	360	361	362	363	364	365	366	367	368	369	370	371	372	373	374	375	376	377	378	379	380	381	382	383	384	385	386	387	388	389	390	391	392	393	394	395	396	397	398	399	400	401	402	403	404	405	406	407	408	409	410	411	412	413	414	415	416	417	418	419	420	421	422	423	424	425	426	427	428	429	430	431	432	433	434	435	436	437	438	439	440	441	442	443	444	445	446	447	448	449	450	451	452	453	454	455	456	457	458	459	460	461	462	463	464	465	466	467	468	469	470	471	472	473	474	475	476	477	478	479	480	481	482	483	484	485	486	487	488	489	490	491	492	493	494	495	496	497	498	499	500	501	502	503	504	505	506	507	508	509	510	511	512	513	514	515	516	517	518	519	520	521	522	523	524	525	526	527	528	529	530	531	532	533	534	535	536	537	538	539	540	541	542	543	544	545	546	547	548	549	550	551	552	553	554	555	556	557	558	559	560	561	562	563	564	565	566	567	568	569	570	571	572	573	574	575	576	577	578	579	580	581	582	583	584	585	586	587	588	589	590	591	592	593	594	595	596	597	598	599	600	601	602	603	604	605	606	607	608	609	610	611	612	613	614	615	616	617	618	619	620	621	622	623	624	625	626	627	628	629	630	631	632	633	634	635	636	637	638	639	640	641	642	643	644	645	646	647	648	649	650	651	652	653	654	655	656	657	658	659	660	661	662	663	664	665	666	667	668	669	670	671	672	673	674	675	676	677	678	679	680	681	682	683	684	685	686	687	688	689	690	691	692	693	694	695	696	697	698	699	700	701	702	703	704	705	706	707	708	709	710	711	712	713	714	715	716	717	718	719	720	721	722	723	724	725	726	727	728	729	730	731	732	733	734	735	736	737	738	739	740	741	742	743	744	745	746	747	748	749	750	751	752	753	754	755	756	757	758	759	760	761	762	763	764	765	766	767	768	769	770	771	772	773	774	775	776	777	778	779	780	781	782	783	784	785	786	787	788	789	790	791	792	793	794	795	796	797	798	799	800	801	802	803	804	805	806	807	808	809	810	811	812	813	814	815	816	817	818	819	820	821	822	823	824	825	826	827	828	829	830	831	832	833	834	835	836	837	838	839	840	841	842	843	844	845	846	847	848	849	850	851	852	853	854	855	856	857	858	859	860	861	862	863	864	865	866	867	868	869	870	871	872	873	874	875	876	877	878	879	880	881	882	883	884	885	886	887	888	889	890	891	892	893	894	895	896	897	898	899	900	901	902	903	904	905	906	907	908	909	910	911	912	913	914	915	916	917	918	919	920	921	922	923	924	925	926	927	928	929	930	931	932	933	934	935	936	937	938	939	940	941	942	943	944	945	946	947	948	949	950	951	952	953	954	955	956	957	958	959	960	961	962	963	964	965	966	967	968	969	970	971	972	973	974	975	976	977	978	979	980	981	982	983	984	985	986	987	988	989	990	991	992	993	994	995	996	997	998	999	1000
LS678	16	8	16																																																																																																																																																																																																																																																																																																																																																																																																																																																																																																																																																																																																																																																																																																																																																																																																																																																																																																																																																																																																																																					
LS374	28	16	16																																																																																																																																																																																																																																																																																																																																																																																																																																																																																																																																																																																																																																																																																																																																																																																																																																																																																																																																																																																																																																					
LS283	16	8	16																																																																																																																																																																																																																																																																																																																																																																																																																																																																																																																																																																																																																																																																																																																																																																																																																																																																																																																																																																																																																																					
LS273	28	16	16																																																																																																																																																																																																																																																																																																																																																																																																																																																																																																																																																																																																																																																																																																																																																																																																																																																																																																																																																																																																																																					
LS244	28	16	16																																																																																																																																																																																																																																																																																																																																																																																																																																																																																																																																																																																																																																																																																																																																																																																																																																																																																																																																																																																																																																					
LS175	16	8	16																																																																																																																																																																																																																																																																																																																																																																																																																																																																																																																																																																																																																																																																																																																																																																																																																																																																																																																																																																																																																																					
LS173	16	8	16																																																																																																																																																																																																																																																																																																																																																																																																																																																																																																																																																																																																																																																																																																																																																																																																																																																																																																																																																																																																																																					
LS163	16	8	16																																																																																																																																																																																																																																																																																																																																																																																																																																																																																																																																																																																																																																																																																																																																																																																																																																																																																																																																																																																																																																					
LS167	16	8	16																																																																																																																																																																																																																																																																																																																																																																																																																																																																																																																																																																																																																																																																																																																																																																																																																																																																																																																																																																																																																																					
LS155	16	8	16																																																																																																																																																																																																																																																																																																																																																																																																																																																																																																																																																																																																																																																																																																																																																																																																																																																																																																																																																																																																																																					
LS139	16	8	16																																																																																																																																																																																																																																																																																																																																																																																																																																																																																																																																																																																																																																																																																																																																																																																																																																																																																																																																																																																																																																					
LS96	16	8	16																																																																																																																																																																																																																																																																																																																																																																																																																																																																																																																																																																																																																																																																																																																																																																																																																																																																																																																																																																																																																																					
LS86	14	7	14																																																																																																																																																																																																																																																																																																																																																																																																																																																																																																																																																																																																																																																																																																																																																																																																																																																																																																																																																																																																																																					
LS74	14	7	14																																																																																																																																																																																																																																																																																																																																																																																																																																																																																																																																																																																																																																																																																																																																																																																																																																																																																																																																																																																																																																					
LS32	14	7	14																																																																																																																																																																																																																																																																																																																																																																																																																																																																																																																																																																																																																																																																																																																																																																																																																																																																																																																																																																																																																																					
LS88	14	7	14																																																																																																																																																																																																																																																																																																																																																																																																																																																																																																																																																																																																																																																																																																																																																																																																																																																																																																																																																																																																																																					
LS94	14	7	14																																																																																																																																																																																																																																																																																																																																																																																																																																																																																																																																																																																																																																																																																																																																																																																																																																																																																																																																																																																																																																					
82S129	16	8	16																																																																																																																																																																																																																																																																																																																																																																																																																																																																																																																																																																																																																																																																																																																																																																																																																																																																																																																																																																																																																																					
82S123	16	8	16																																																																																																																																																																																																																																																																																																																																																																																																																																																																																																																																																																																																																																																																																																																																																																																																																																																																																																																																																																																																																																					
7407	14	7	14																																																																																																																																																																																																																																																																																																																																																																																																																																																																																																																																																																																																																																																																																																																																																																																																																																																																																																																																																																																																																																					
7406	14	7	14																																																																																																																																																																																																																																																																																																																																																																																																																																																																																																																																																																																																																																																																																																																																																																																																																																																																																																																																																																																																																																					
6148	16	8	16																																																																																																																																																																																																																																																																																																																																																																																																																																																																																																																																																																																																																																																																																																																																																																																																																																																																																																																																																																																																																																					
4906	14	7	14																																																																																																																																																																																																																																																																																																																																																																																																																																																																																																																																																																																																																																																																																																																																																																																																																																																																																																																																																																																																																																					
2716,2732,2764	28	14	28																																																																																																																																																																																																																																																																																																																																																																																																																																																																																																																																																																																																																																																																																																																																																																																																																																																																																																																																																																																																																																					
2114	16	8	16																																																																																																																																																																																																																																																																																																																																																																																																																																																																																																																																																																																																																																																																																																																																																																																																																																																																																																																																																																																																																																					
IC TYPE		PIN NO.																																																																																																																																																																																																																																																																																																																																																																																																																																																																																																																																																																																																																																																																																																																																																																																																																																																																																																																																																																																																																																						

NOTICE TO ALL PERSONS RECEIVING THIS DRAWING: This drawing is the property of Atari Corporation and contains trade secrets and confidential information. It is to be used for the purpose of manufacturing or repairing the equipment for which it was prepared. No part of this drawing is to be reproduced, stored in a retrieval system, or transmitted, in any form or by any means, without the prior written consent of Atari Corporation. If you are not an authorized recipient of this drawing, you are notified that disclosing the contents of this drawing to any person or organization, in any manner, is strictly prohibited. Atari Corporation reserves the right to discontinue or alter the design of the equipment depicted in this drawing without notice.



MazerBlazer

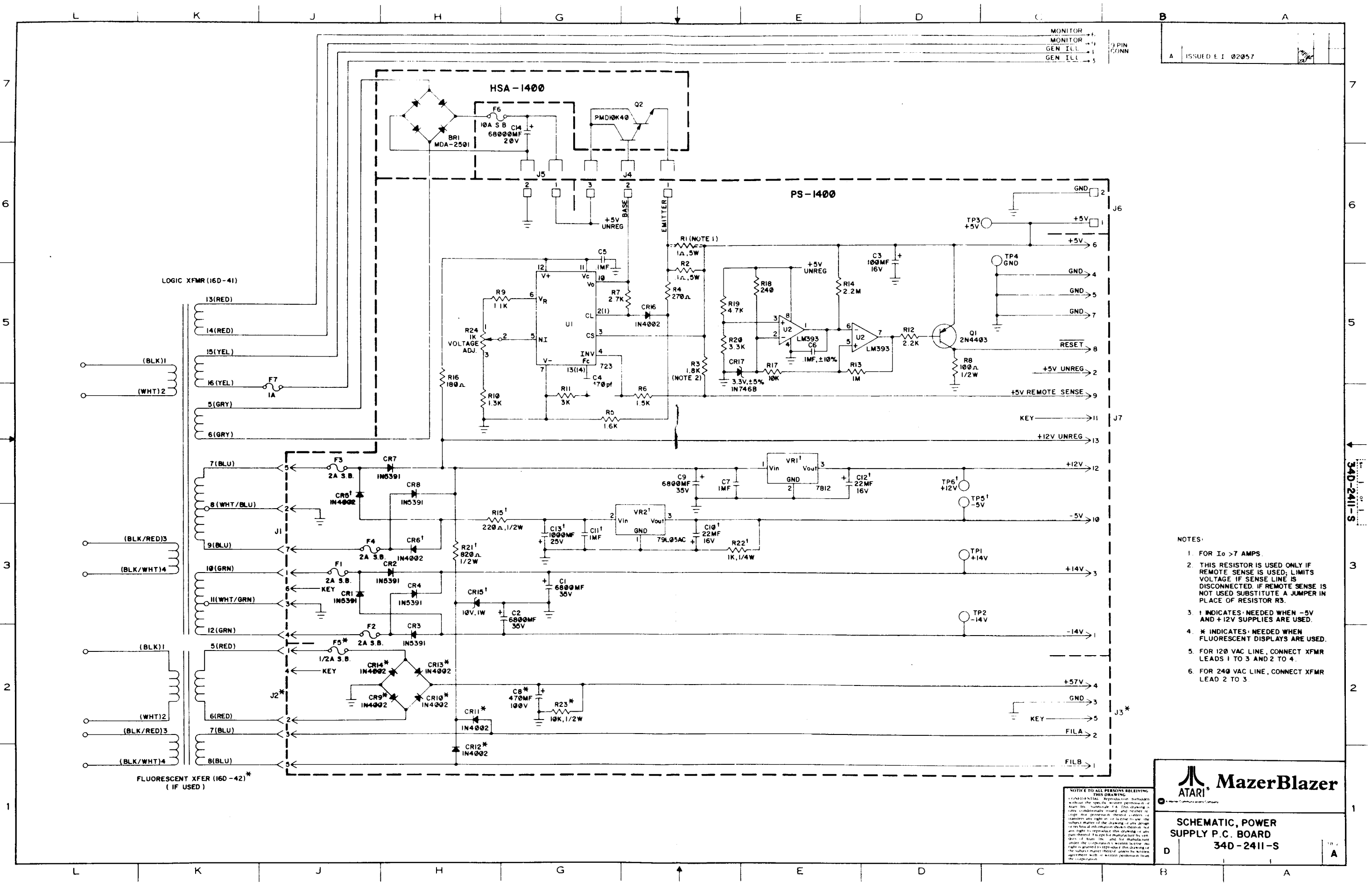
SCHEMATIC, VOICE AND SOUND BOARD PC BOARD

340-887-S

FROM SHEET 1 OF 2

2 MHz \square
4 MHz \square

340-887-S



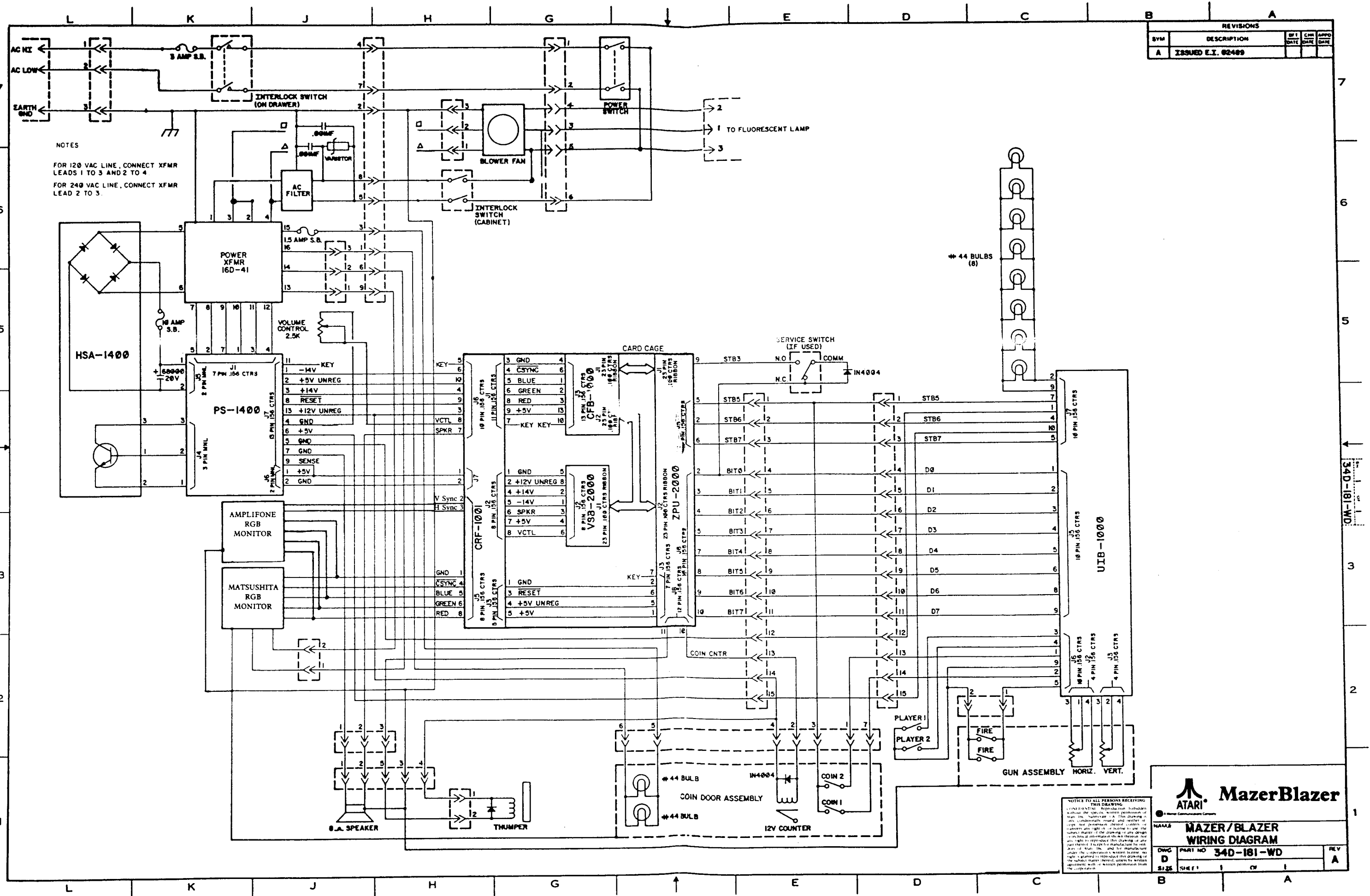
- NOTES:
1. FOR $I_o > 7$ AMPS.
 2. THIS RESISTOR IS USED ONLY IF REMOTE SENSE IS USED; LIMITS VOLTAGE IF SENSE LINE IS DISCONNECTED. IF REMOTE SENSE IS NOT USED SUBSTITUTE A JUMPER IN PLACE OF RESISTOR R3.
 3. † INDICATES: NEEDED WHEN -5V AND +12V SUPPLIES ARE USED.
 4. * INDICATES: NEEDED WHEN FLUORESCENT DISPLAYS ARE USED.
 5. FOR 120 VAC LINE, CONNECT XFMR LEADS 1 TO 3 AND 2 TO 4.
 6. FOR 240 VAC LINE, CONNECT XFMR LEAD 2 TO 3.

NOTICE TO ALL PERSONS RECEIVING THIS DRAWING: Reproduction without the express written permission of Atari Inc. is prohibited. This drawing is a confidential document and neither its contents nor its use in any manner is to be divulged to any person without the express written permission of Atari Inc. and its manufacturer under the provisions of the license agreement with Atari Inc. and its manufacturer.

ATARI MazerBlazer

SCHEMATIC, POWER SUPPLY P.C. BOARD
340-2411-S

REVISIONS				
SYM	DESCRIPTION	BY	CHK	APPD
A	ISSUED E.I. 92489			



NOTES
 FOR 120 VAC LINE, CONNECT XFMR LEADS 1 TO 3 AND 2 TO 4
 FOR 240 VAC LINE, CONNECT XFMR LEAD 2 TO 3.

NOTICE TO ALL PERSONS RECEIVING THIS DRAWING: Reproduction is prohibited without the express written permission of Atari, Inc. Atari, Inc. This drawing is a confidential document and neither it nor the information contained therein is to be disseminated outside the company. No part of this drawing or any part thereof is to be reproduced or transmitted in any form or by any means electronic, mechanical, photocopying, recording, or by any information storage and retrieval system without the express written permission of Atari, Inc. Atari, Inc. is not responsible for any damage or loss of data resulting from the use of this drawing or any part thereof.

ATARI MazerBlazer
 Home Commodore Group

NAME: **MAZER/BLAZER WIRING DIAGRAM**

DWG NO: **340-181-WD** SHEET **1** OF **1**

REV **A**